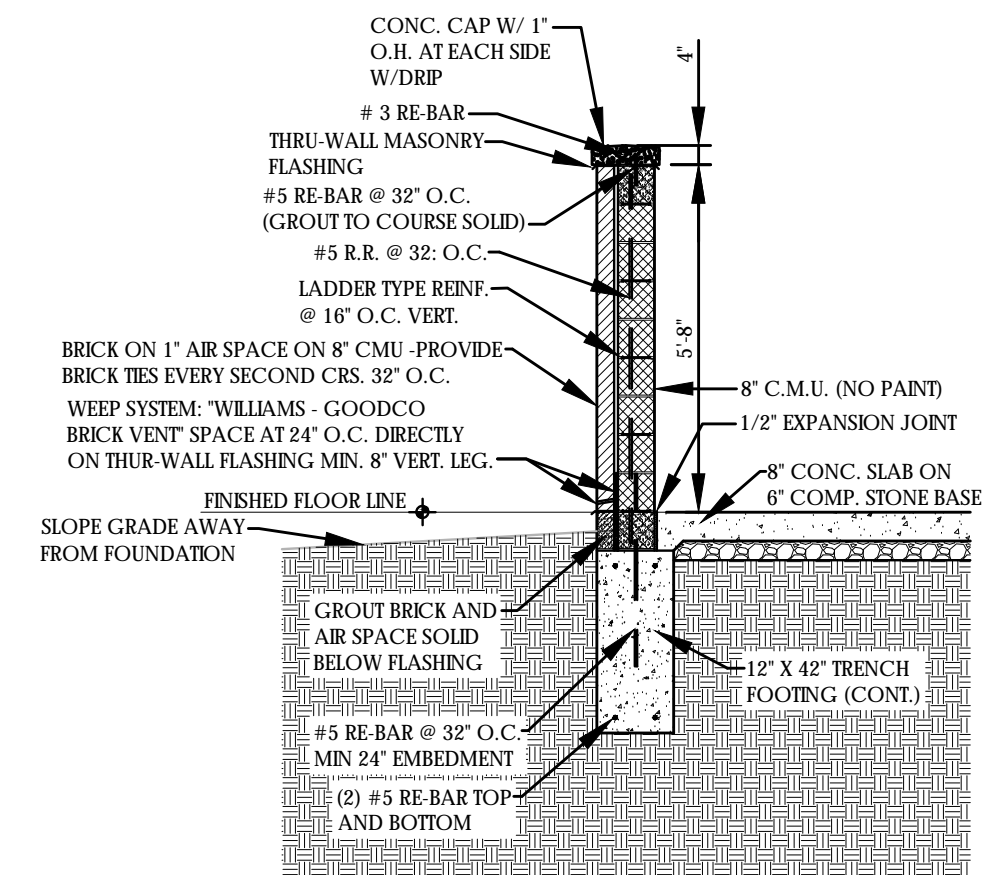
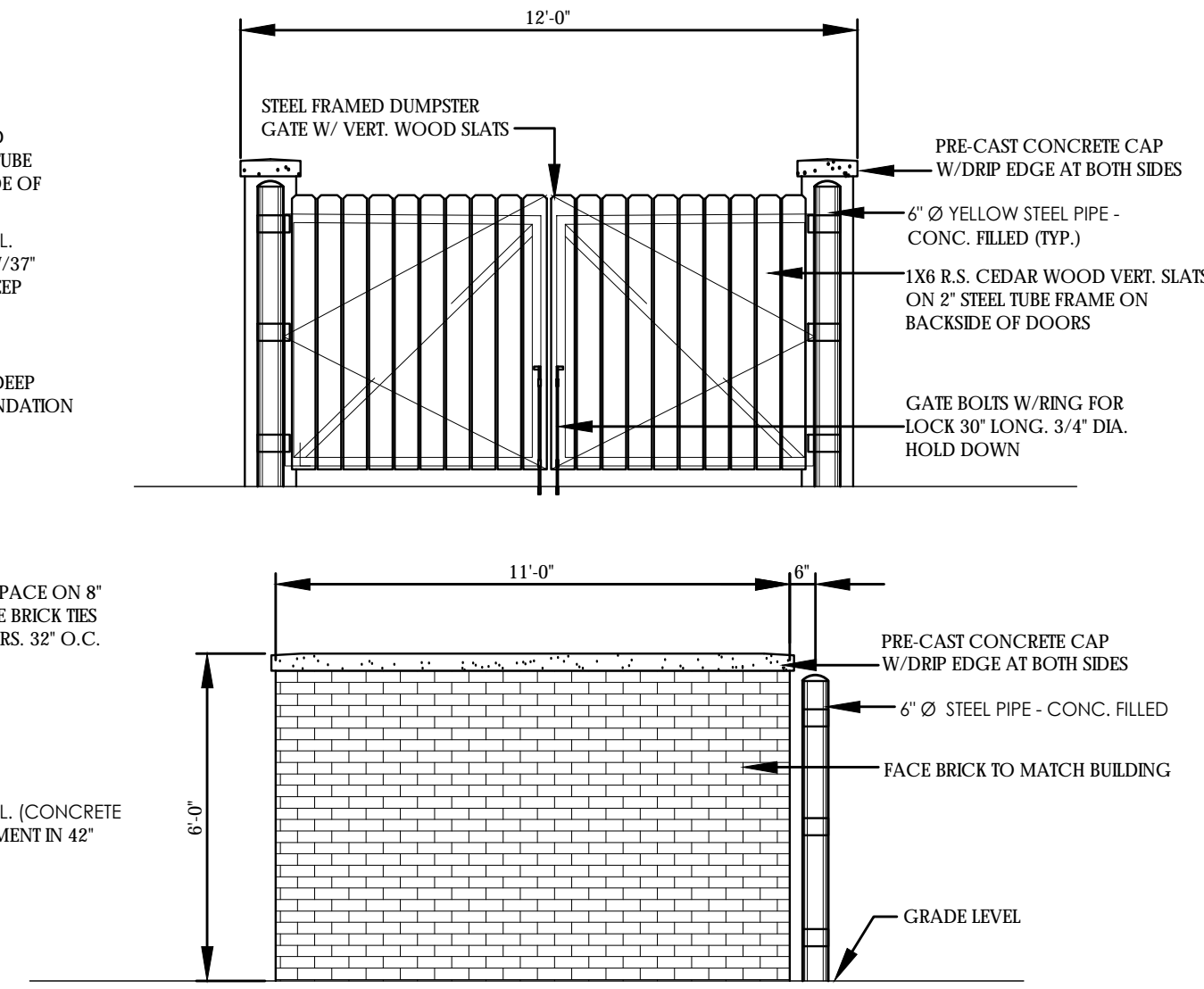
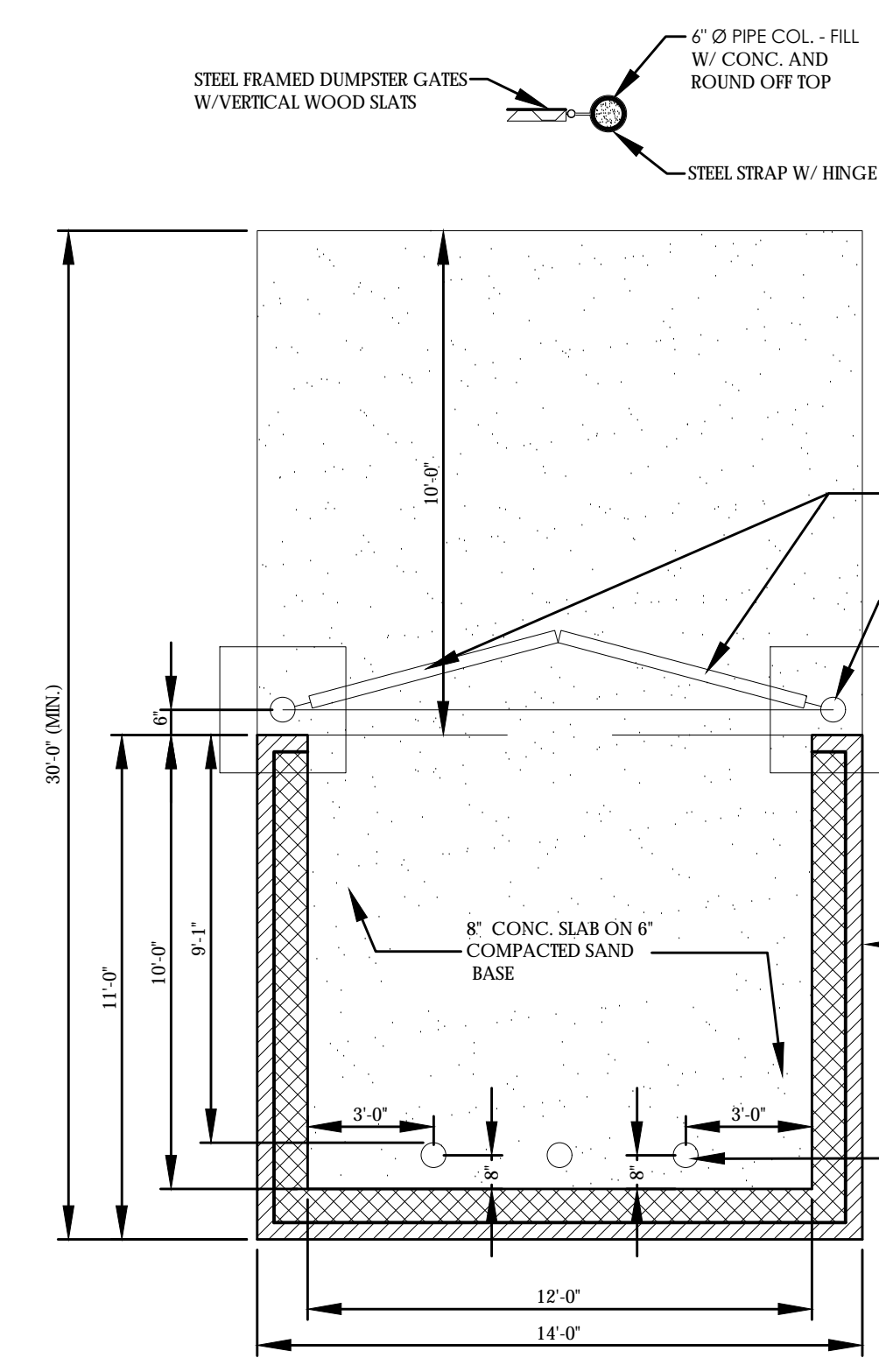
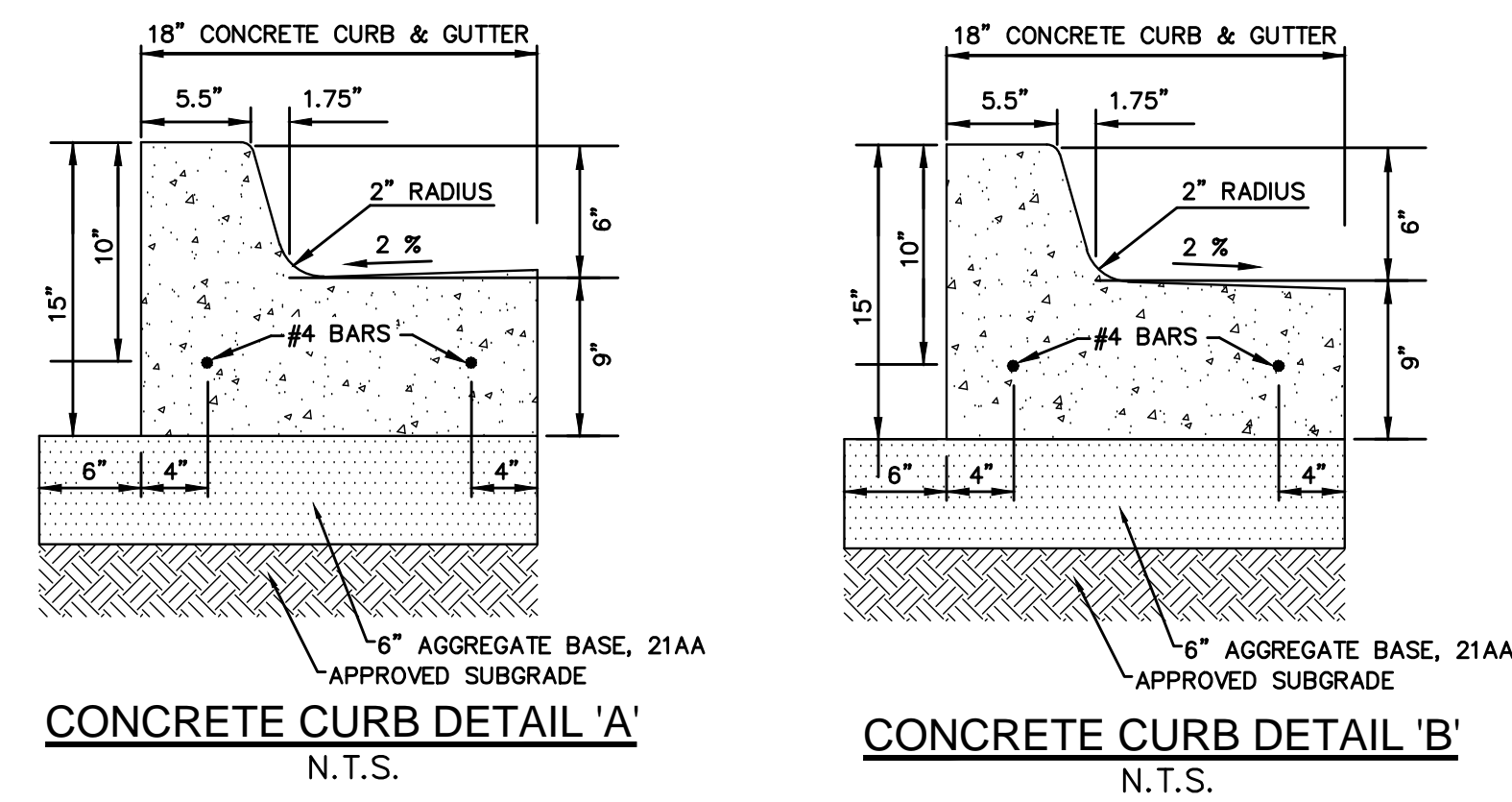
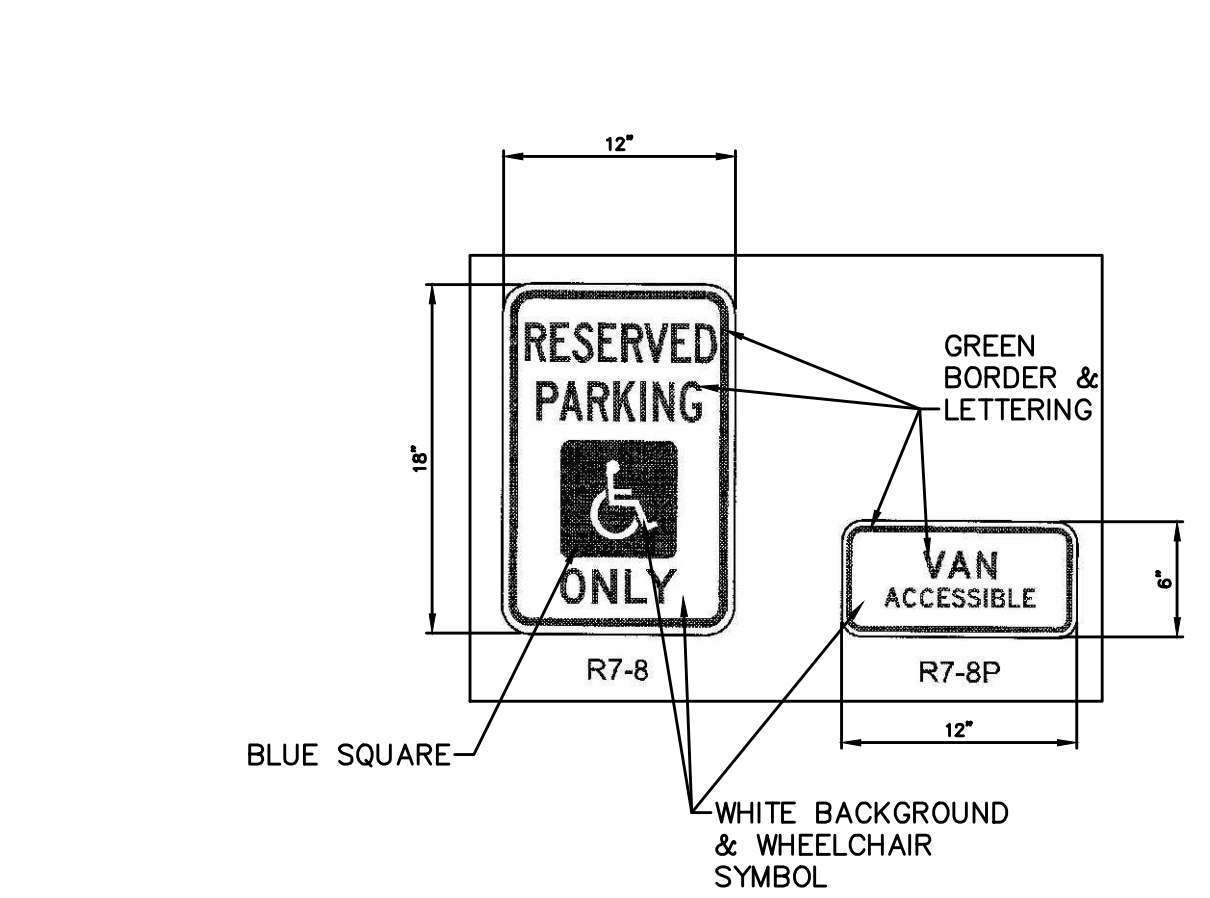
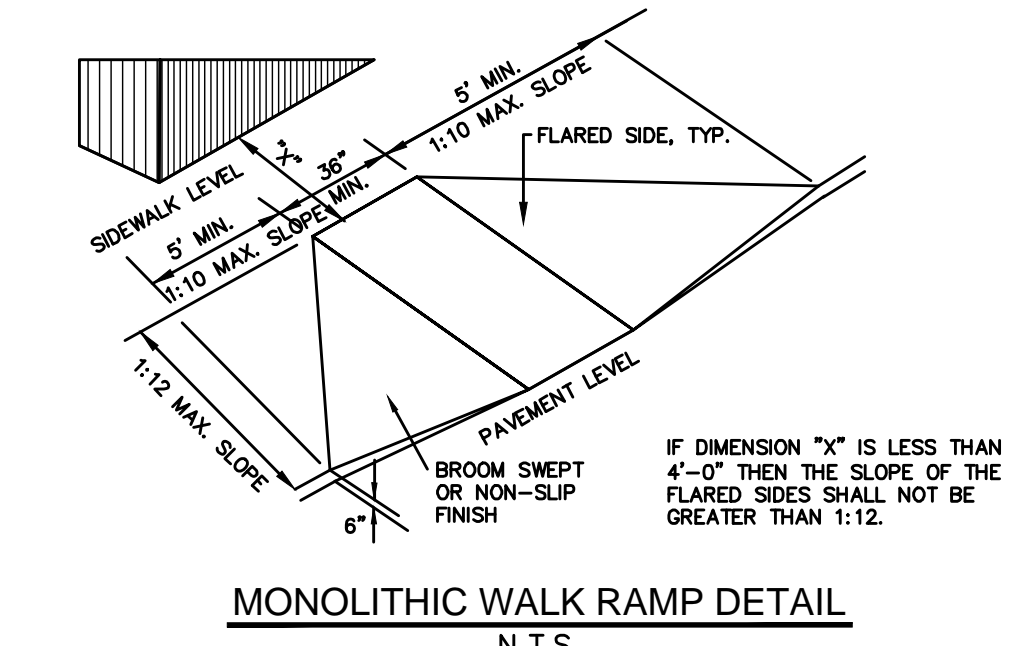
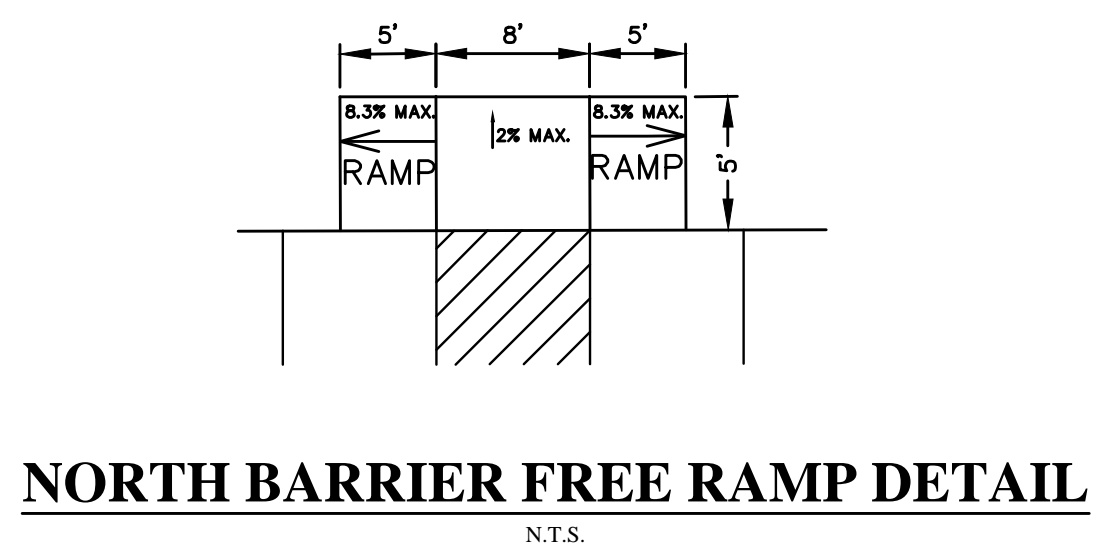
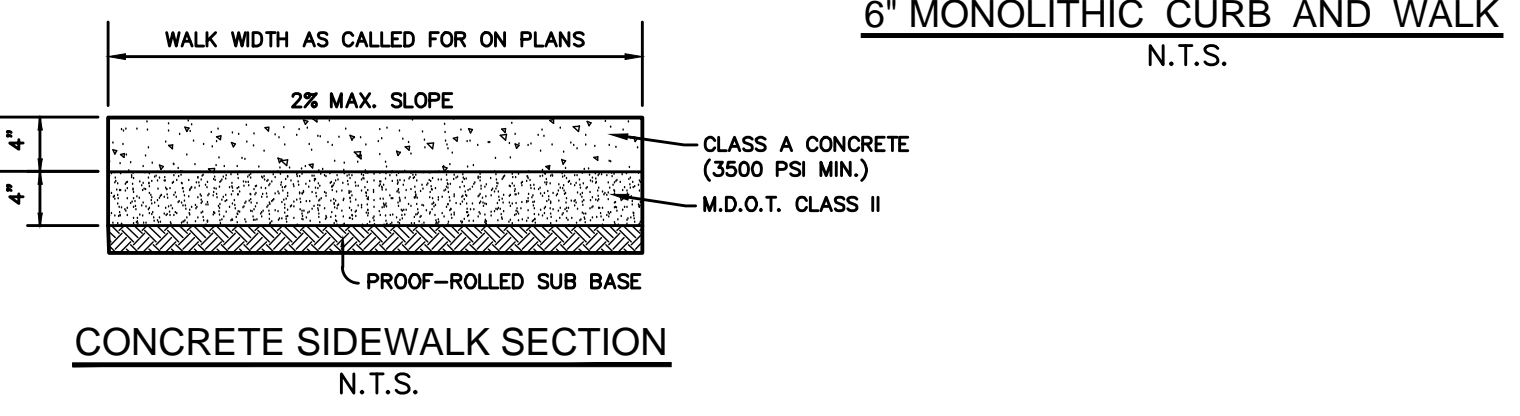
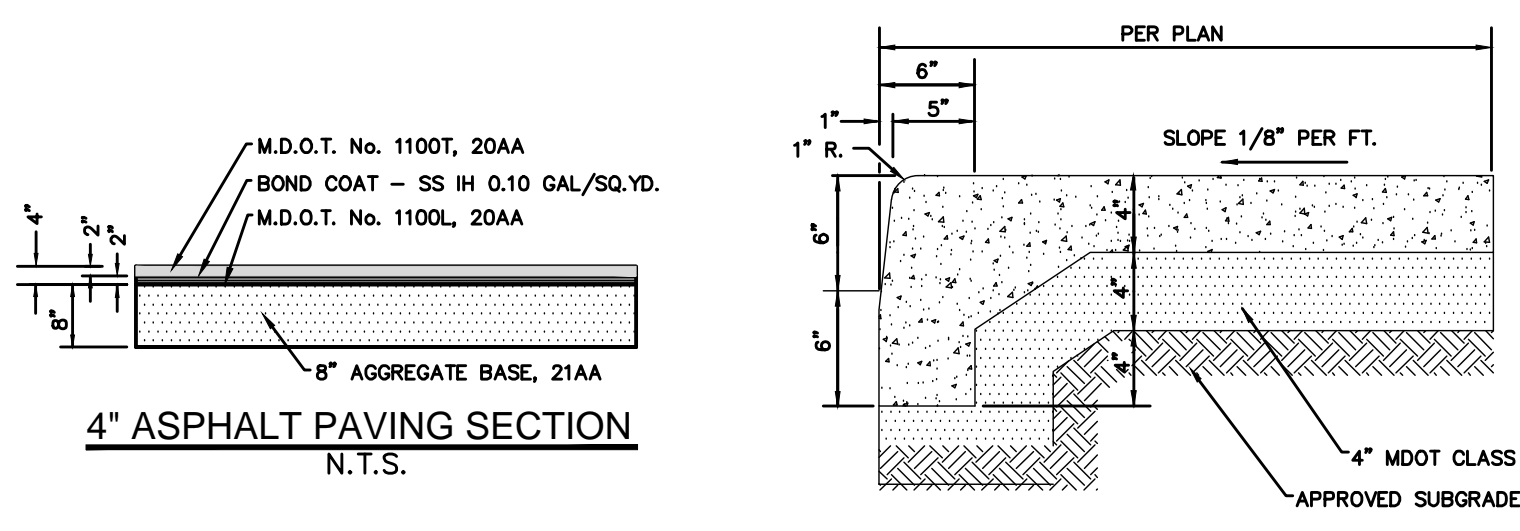
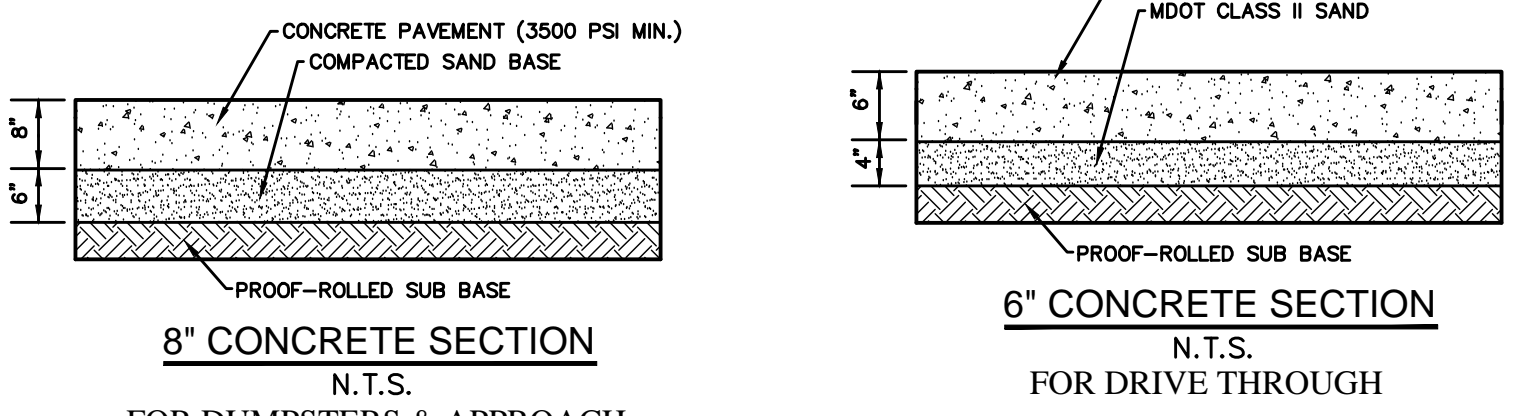


Date	Description

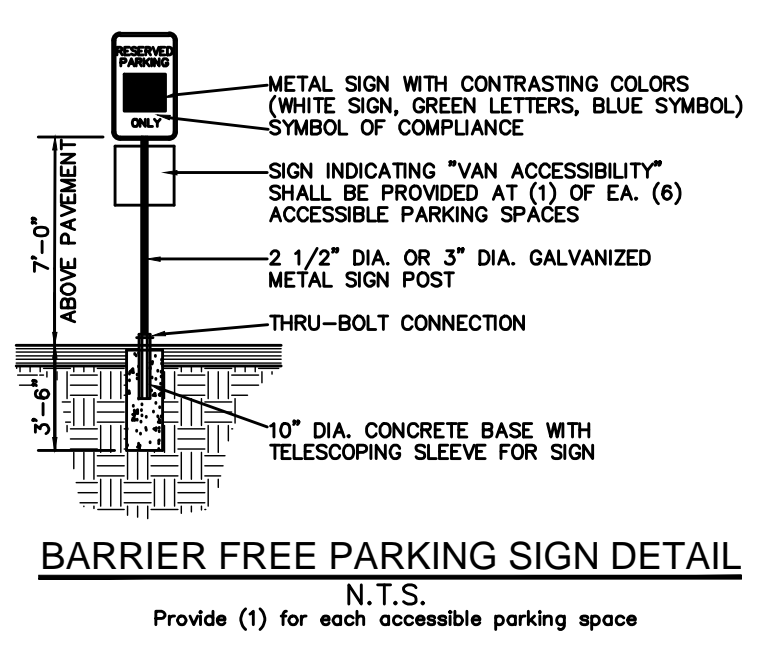


GENERAL NOTES:
1. ALL EXTERIOR MATERIALS TO MATCH BUILDING IF THERE IS NO BRICK TO MATCH - MATCH MASONRY
2. ADHERE TO ALL LOCAL ORDINANCES AND DESIGN REQUIREMENTS. NOTIFY ARCHITECT OF ANY DISCREPANCIES.

Dumpster Enclosure Plan
N.T.S.



ACCESSIBLE SIGNAGE
NOT TO SCALE



BARRIER FREE PARKING SIGN DETAIL
N.T.S.
Provide (1) for each accessible parking space

SEE ELECTRICAL PLANS FOR LIGHT POLE DETAILS