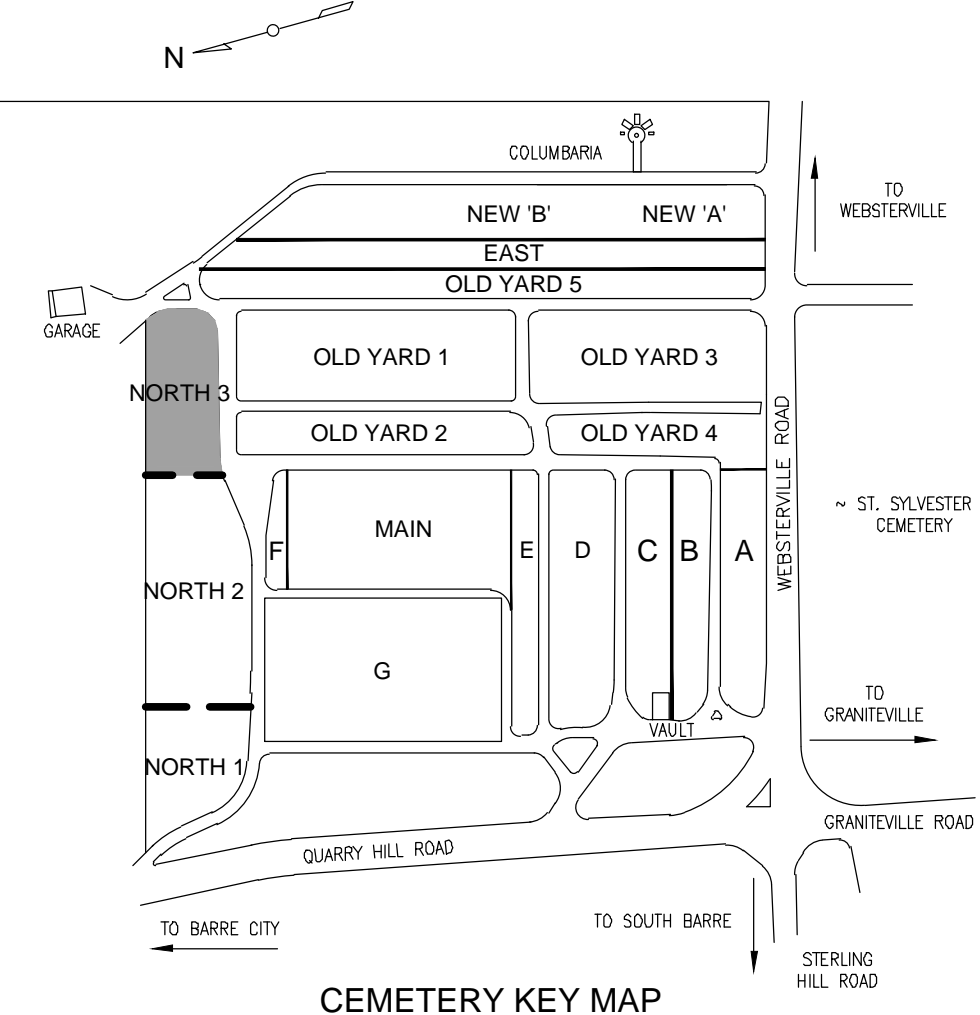
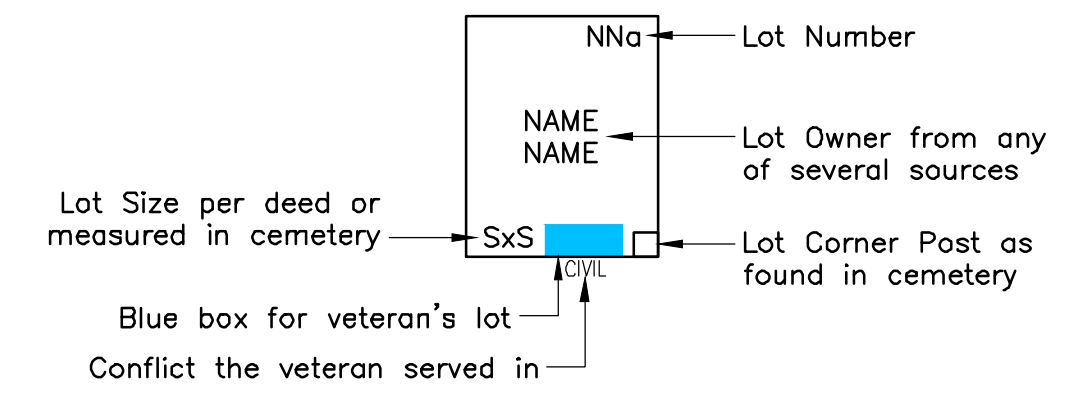


CEMETERY MAINTENANCE SHOP



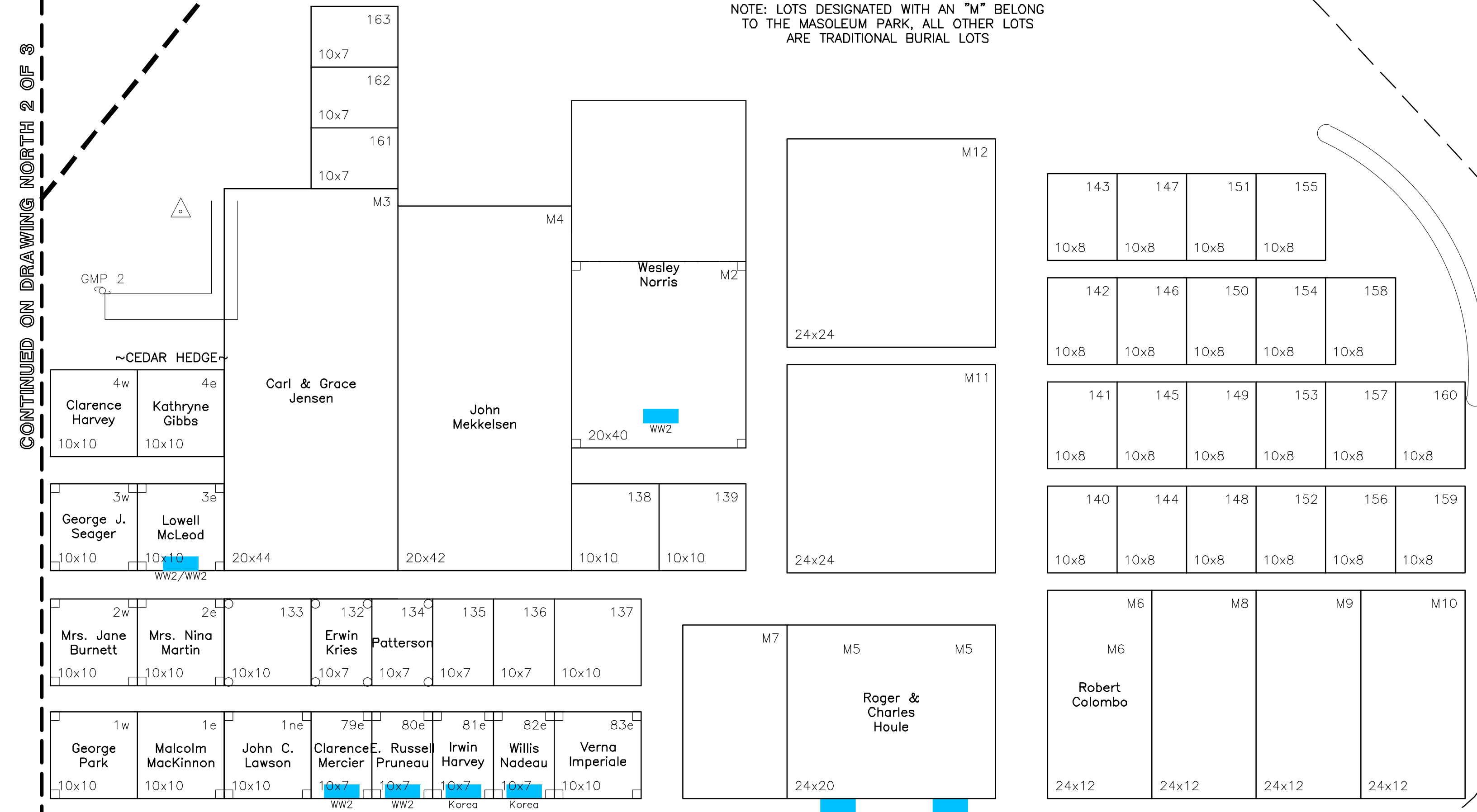
CEMETERY KEY MAP
NO SCALE

LOT INFORMATION KEY



CONTINUED ON DRAWING NORTH 2 OF 3

NOTE: LOTS DESIGNATED WITH AN "M" BELONG TO THE MASOLEUM PARK. ALL OTHER LOTS ARE TRADITIONAL BURIAL LOTS



CEMETERY DRILLED WELL

NORTH SECTION

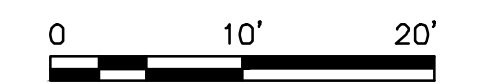
PAVED DRIVEWAY

OLD YARD 2

OLD YARD 1

OLD YARD 5 | EAST SECTION
NEW B

PLAN ADOPTED: 23 MAY 2018
REVISION NUMBER:
PLAN REVISED:
PLAN RE-ADOPTED:



WILSON CEMETERY
BARRE TOWN, VERMONT
North Section Schematic 3 of 3
Including Mausoleum Park
Cemetery Year 2017

C:\Users\harrington\Documents\Harry Cemetery\06-Drawings\Wilson Cem Revised.dwg, 08 North (3) - 5/23/2018 4:33:15 AM - harrington.dwg To PDF (150 dpi).pc3