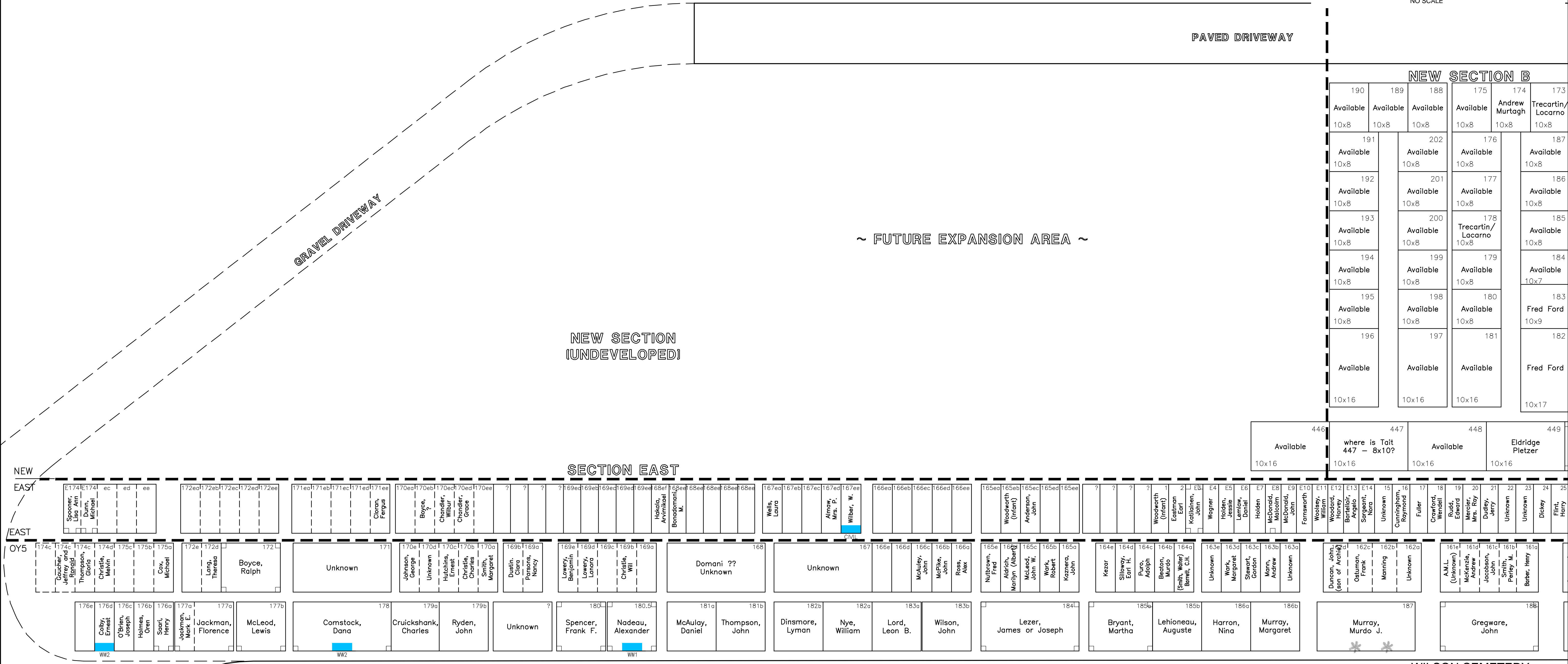
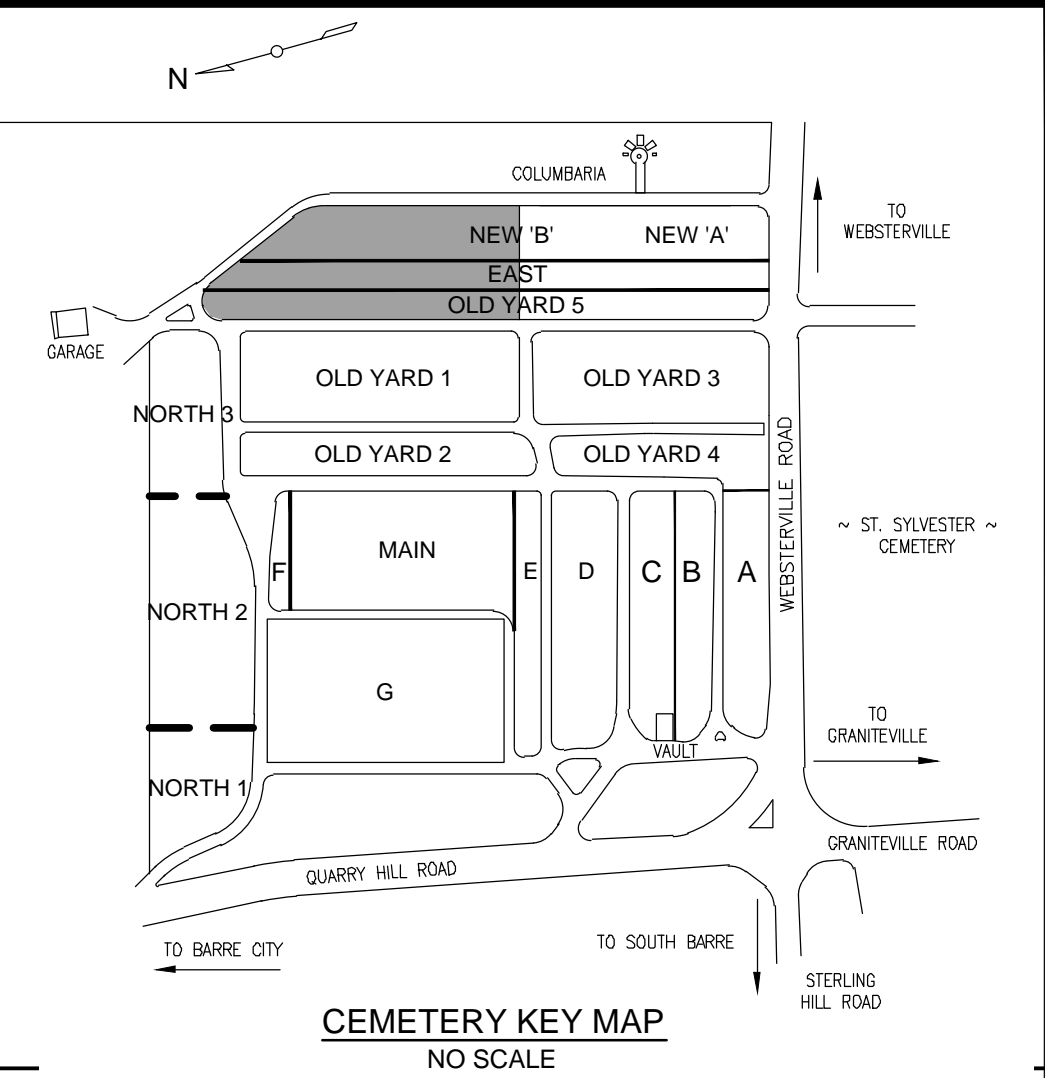
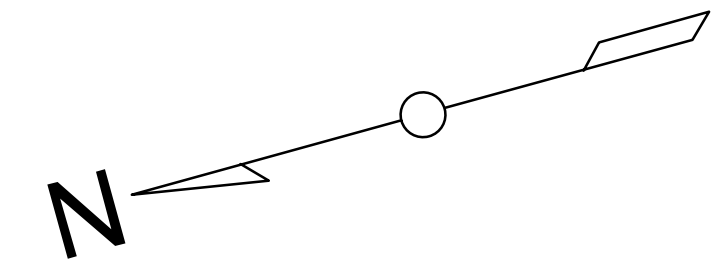
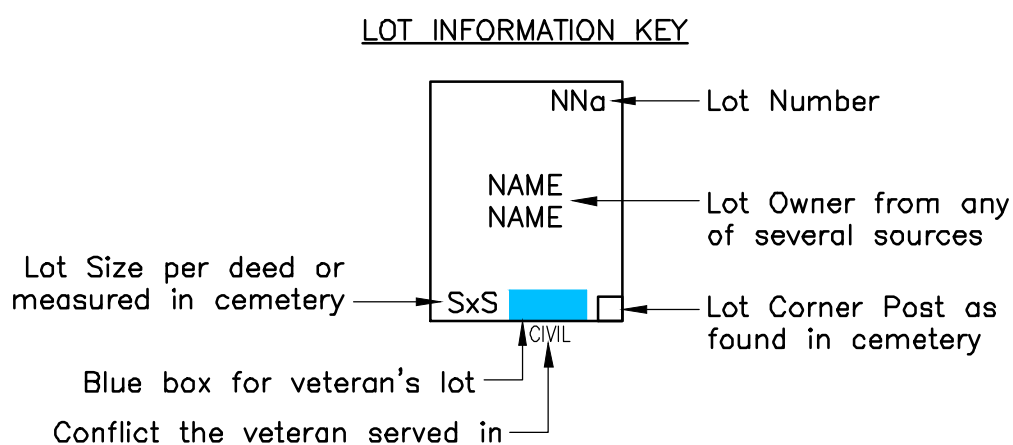


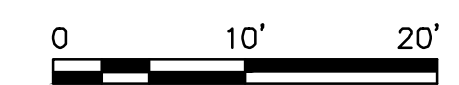
C:\Users\harrington\Documents\Wilson Cemetery\Wilson Cemetery\Wilson Cemetery.dwg, 12:05:52 PM, 5/23/2018, 4:53:06 AM, Harrington, DWG To PDF (150 dpi).pc3



NEW SECTION B

190 Available 10x8	189 Available 10x8	188 Available 10x8	175 Available 10x8	174 Andrew Murtagh 10x8	173 Trecartin/ Locarno 10x8
191 Available 10x8	192 Available 10x8	202 Available 10x8	176 Available 10x8	187 Available 10x8	186 Available 10x8
193 Available 10x8	194 Available 10x8	201 Available 10x8	177 Available 10x8	185 Trecartin/ Lacarno 10x8	184 Available 10x7
195 Available 10x8	196 Available 10x16	200 Available 10x8	178 Trecartin/ Lacarno 10x8	183 Fred Ford 10x9	182 Fred Ford 10x17
197 Available 10x16	198 Available 10x8	199 Available 10x8	179 Available 10x8	181 Available 10x16	446 Available 10x16
447 where is Tait 447 - 8x10?	448 Available 10x16	449 Eldridge Pletzer 10x16	447 where is Tait 447 - 8x10?	448 Available 10x16	449 Eldridge Pletzer 10x16

PLAN ADOPTED: 23 MAY 2018
 REVISION NUMBER:
 PLAN REVISED:
 PLAN RE-ADOPTED:



WILSON CEMETERY
 BARRE TOWN, VERMONT
 Sections East, New, and
 Old Yard 5 Schematic 2 of 2
 Cemetery Year 2017