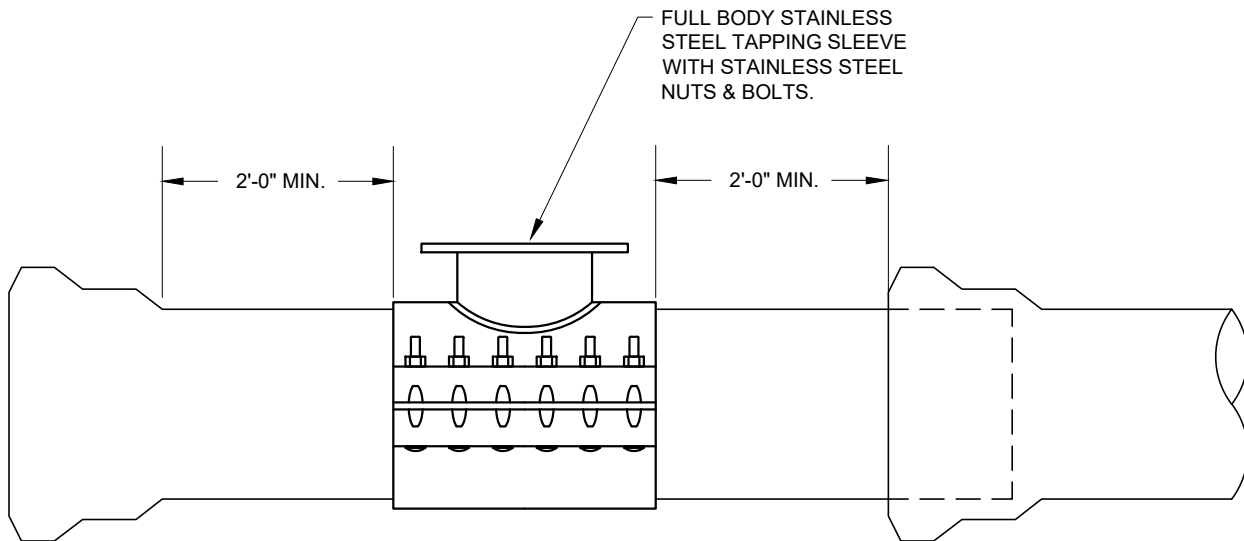


APPROVED TAPPING SLEEVES:  
ROMAC "SST III", JCM 432, & MUELLER H-304SS  
(OR APPROVED EQUAL)



NOTES:

1. TAPPING SLEEVE SHALL NOT BE INSTALLED CLOSER THAN 2'-0" MIN. FROM THE BACK OF THE BELL, OR ANY FITTING OR JOINT.
2. NO HOT TAP SHALL BE PERFORMED WITHOUT PRIOR COORDINATION WITH TOOEELE CITY WATER DEPARTMENT.