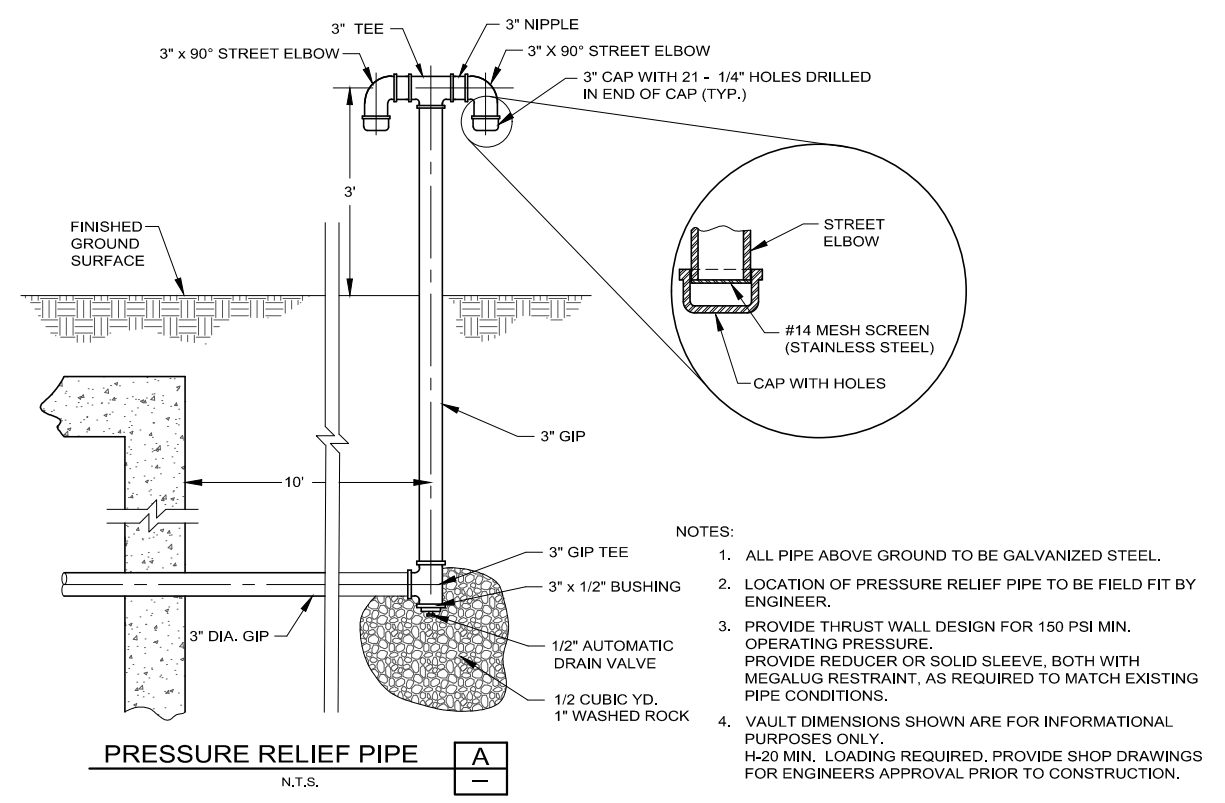
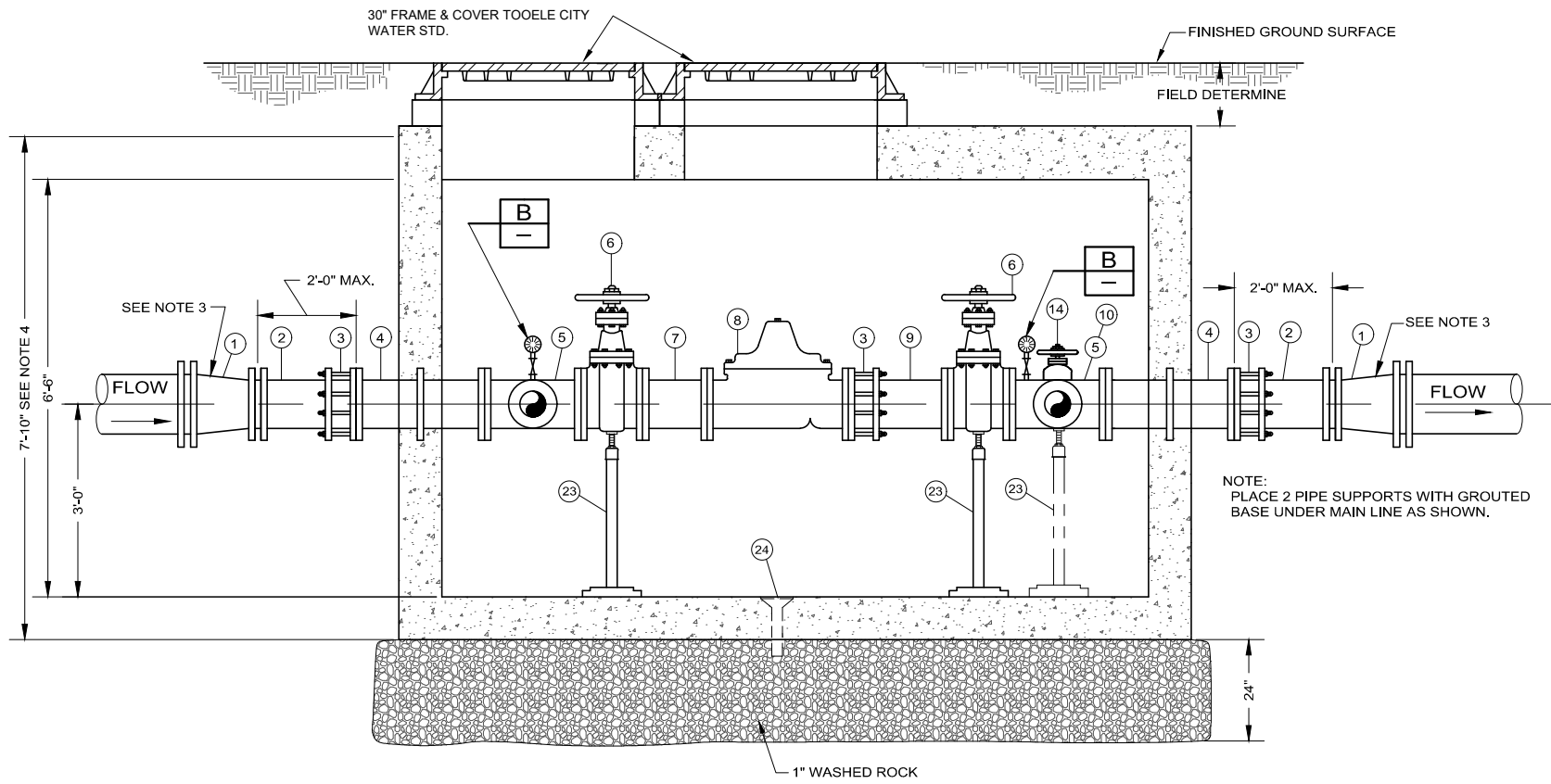


PRESSURE REDUCING STATION			
VALVE AND FITTING SCHEDULE			
NO.	DESCRIPTION	SIZE	JOINT
1.	REDUCER WITH MEGALUG RESTRAINT ON INFLOW SIDE	10" X 8"	MJ
2.	DUCTILE IRON PIPE	8"	-
3.	FLANGE COUPLING ADAPTER	8"	FLG X PE
4.	WALL PIECE WITH THRUST RING	8" X 2'-0"	FLG
5.	TEE W/ 3/4" TAP	8" X 4"	FLG
6.	GATE VALVE (SEE TABLE NOTES)	8"	FLG
7.	SPOOL PIECE	8" X 1'-0"	FLG
8.	PRESSURE REDUCING VALVE (CLA-VAL 90-01)	8"	FLG
9.	NIPPLE	8"	FLG X PE
10.	CROSS WITH 3/4" TAP	8" X 4"	FLG
11.	GATE VALVE (MUELLER RESILIENT SEAT)	4"	FLG
12.	REDUCER	4" X 3"	FLG
13.	REDUCING FLANGE	9" X 2 1/2"	FLG X THD
14.	GATE VALVE (SEE TABLE NOTES)	3"	FLG
15.	PRESSURE RELIEF VALVE (CLA-VAL 50-01)	3"	FLG
16.	COMPANION FLANGE	3"	FLG X THD
17.	GALVANIZED IRON PIPE	3"	THD
18.	PRESSURE REDUCING VALVE (CLA-VAL 90-01)	2 1/2"	FLG
19.	COMPANION FLANGE	2 1/2"	THD
20.	UNION (BRASS)	2 1/2"	THD
21.	BRASS PIPE	2 1/2"	THD
22.	90° ELBOW (BRASS)	2 1/2"	THD
23.	PIPE SUPPORT (GRINNELL NO. 264 - 4 REQUIRED)	-	-
24.	FLOOR DRAIN	6" X 2"	-

TABLE: UNLESS OTHERWISE SPECIFIED, ALL PIPE AND FITTINGS ARE DIP CLASS 53.
 NOTES: ALL FLANGES ARE ANSI CLASS 125.
 PROVIDE MEGALUG RESTRAINT ON ALL MJ FITTINGS.
 PROVIDE BRONZE OR STAINLESS STEEL BOLTS FOR ALL CONNECTIONS WITHIN VAULT.
 MUELLER RESILIENT SEAT, CLOW RESILIENT WEDGE OR EAST JORDAN GATE VALVE.



SECTION 1
N.T.S.

PRESSURE RELIEF PIPE
N.T.S.

8" PRESSURE REDUCING VALVE WITH 2 1/2" BYPASS

