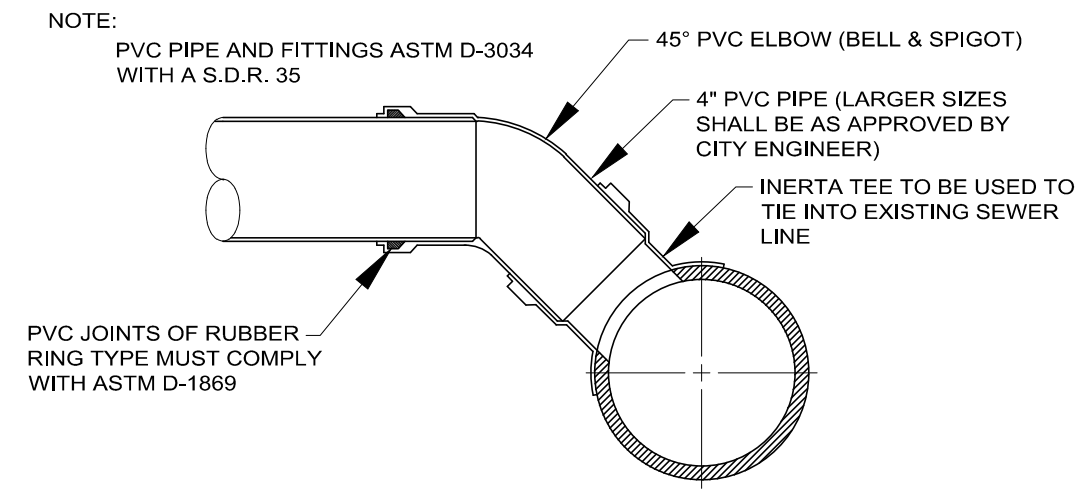


BACKFLOW PREVENTION



TAPPING INTO EXISTING PVC PIPE