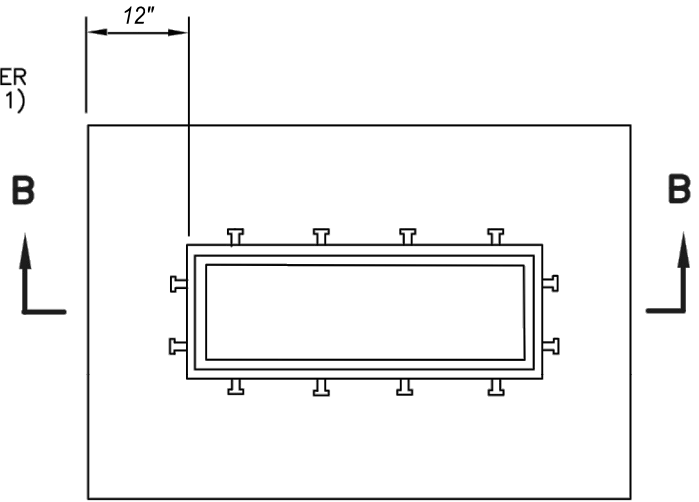
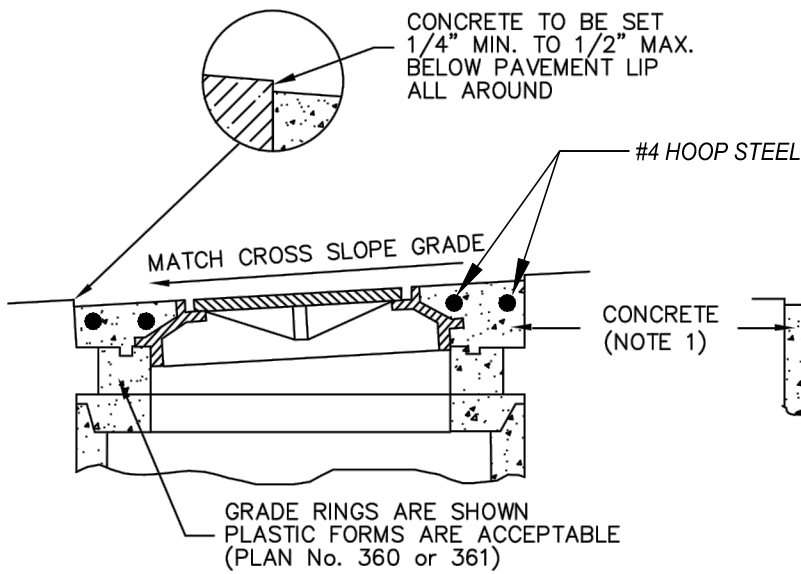


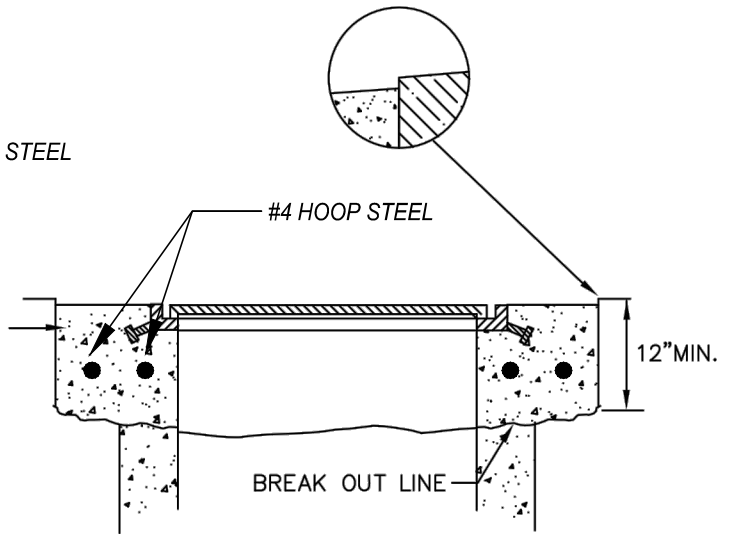
PLAN



PLAN



SECTION A-A



SECTION B-B