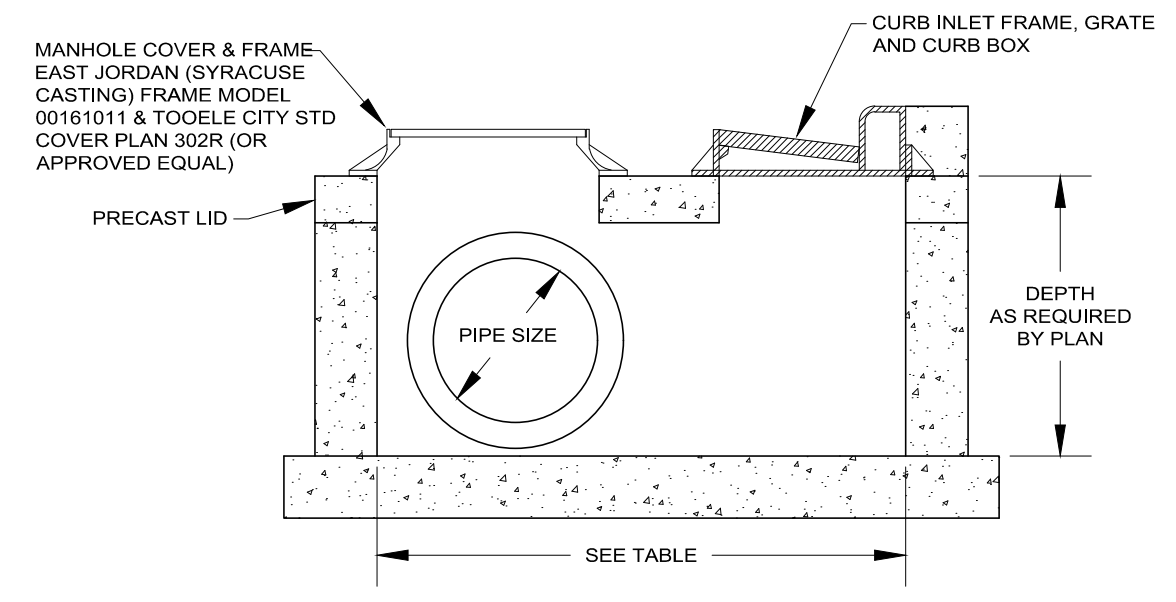
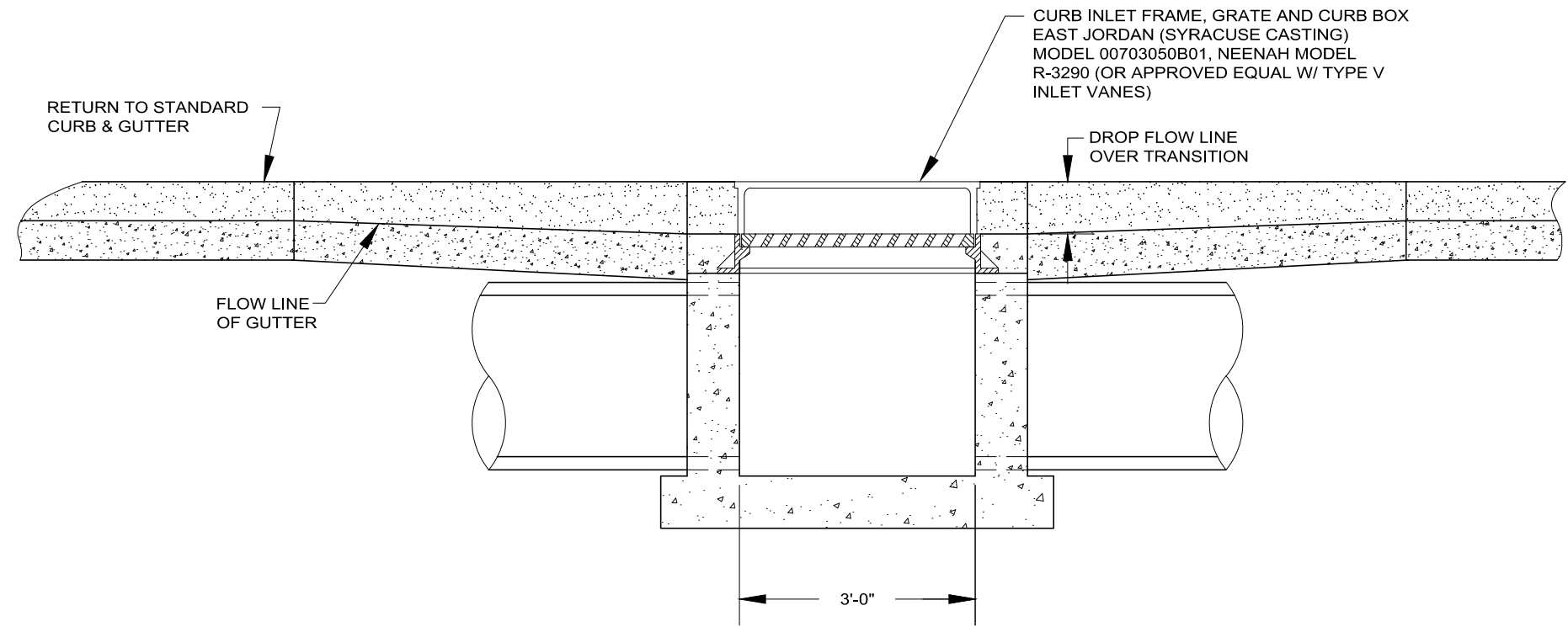


PLAN



SECTION 2

NOTE:
 PROVIDE SHOP DRAWING OF INLET COMBO BOX PRIOR TO FABRICATION. MINIMUM DESIGN: H-20 LOADING



SECTION 1

TABLE	
MINIMUM INSIDE BOX WIDTH	CONCRETE PIPE SIZE (MAX.)
8'-4"	*24"
8'-7"	* 30"
8'-10"	* 36"
9'-1"	* 42"
9'-5"	* 48"

* CONFIRM INSIDE BOX WIDTH FOR PIPE FIT WITH PRE-CAST BOX MANUFACTURER



SINGLE STORM DRAIN INLET COMBO BOX DETAIL