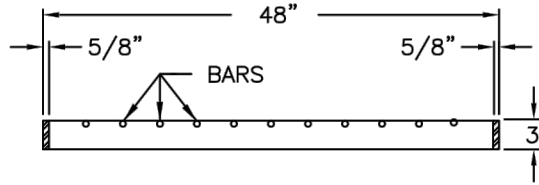
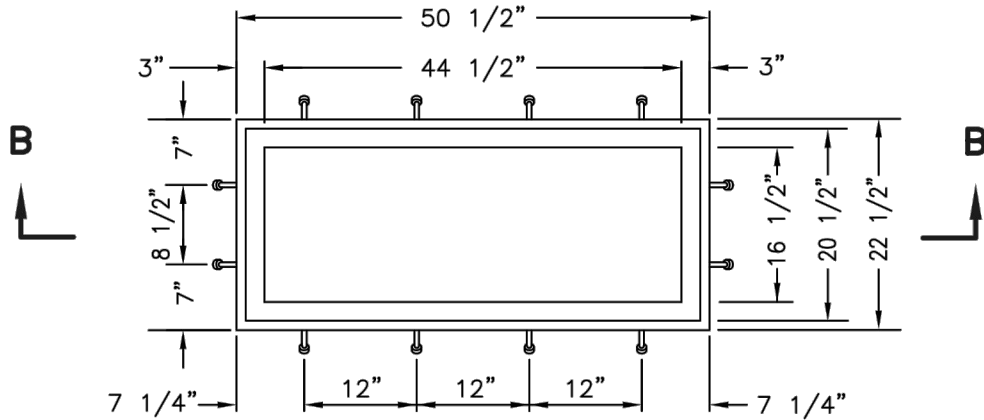


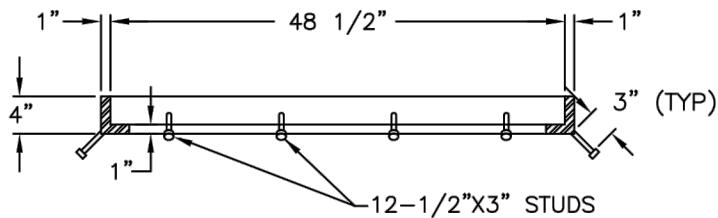
GRATE



SECTION A-A



FRAME



SECTION B-B

REQUIRES APPROVAL