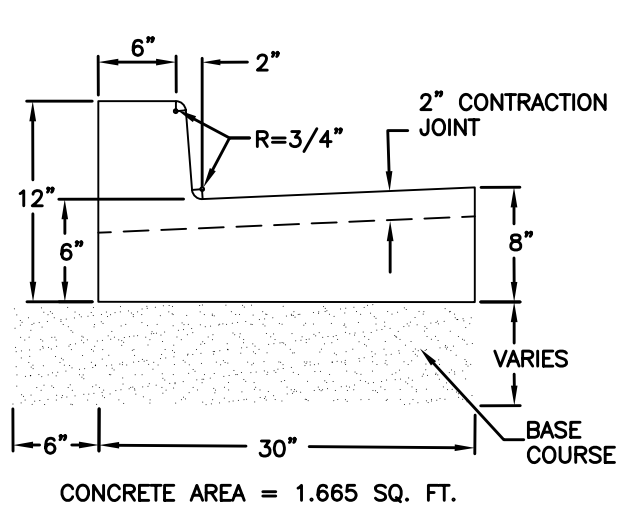
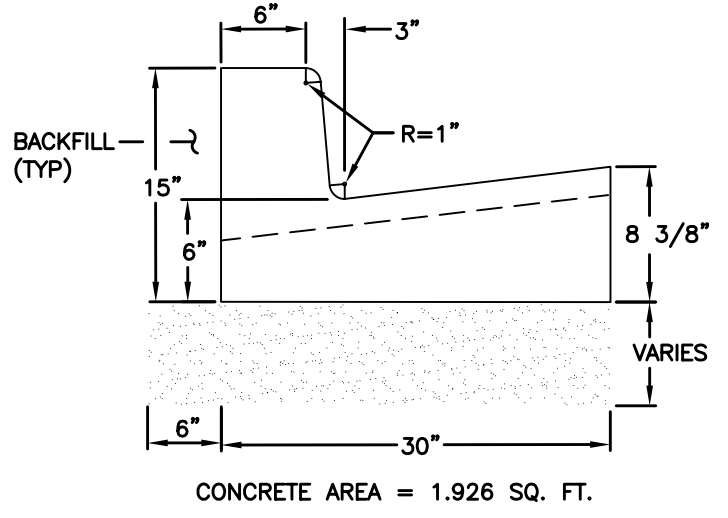


BACKFILL BEHIND CURB BEFORE PAVING AGAINST LIP OF GUTTER

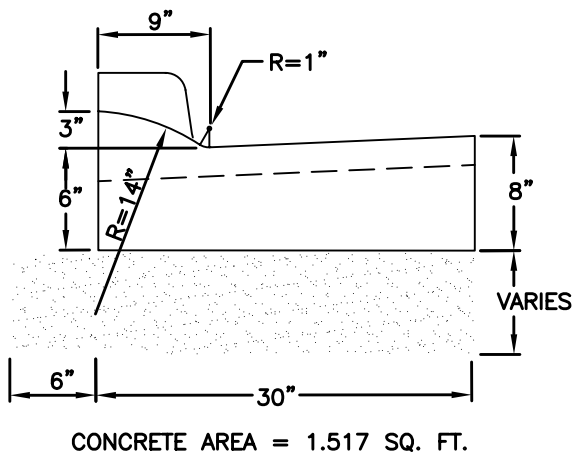


Type A



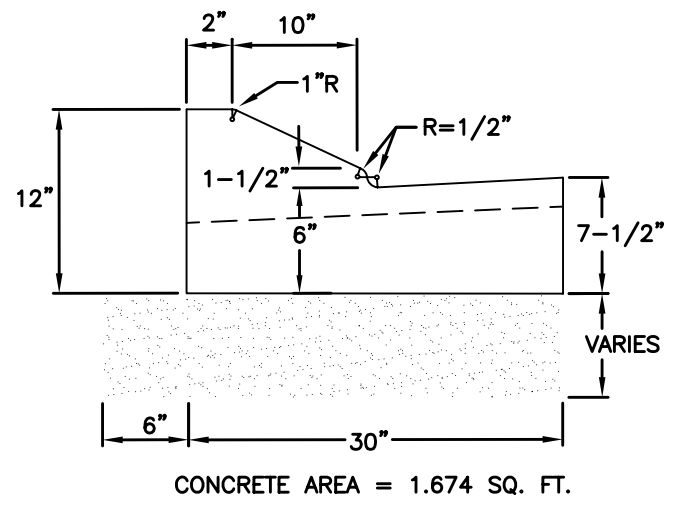
Type B

Requires Approval



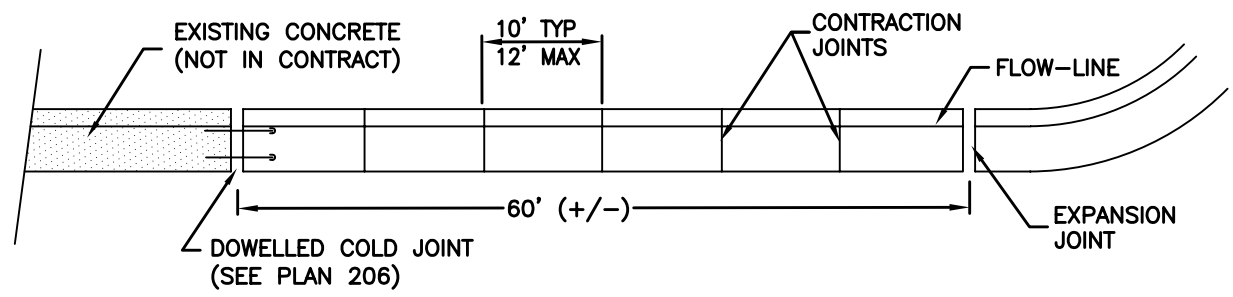
Type C

Requires Approval



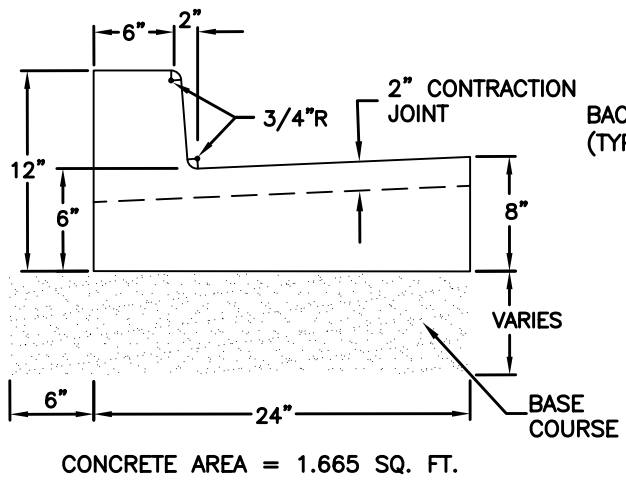
Type D

Requires Approval

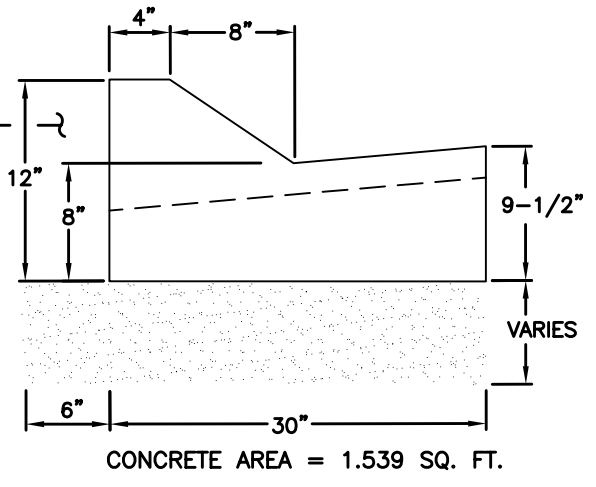


JOINT DETAIL

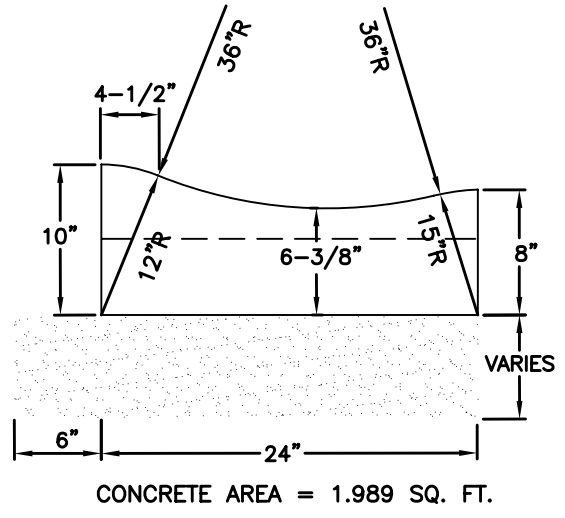
BACKFILL BEHIND CURB BEFORE PAVING AGAINST LIP OF GUTTER



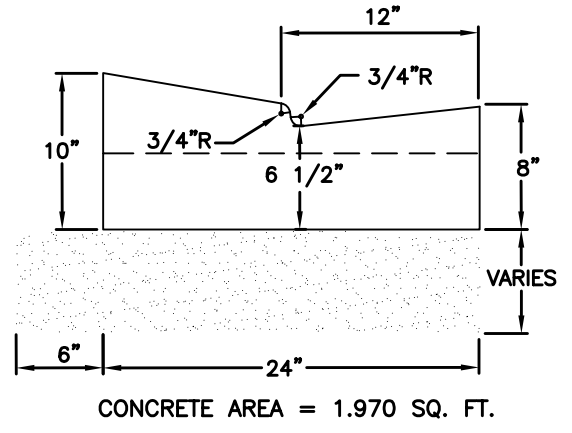
Type E Requires Approval



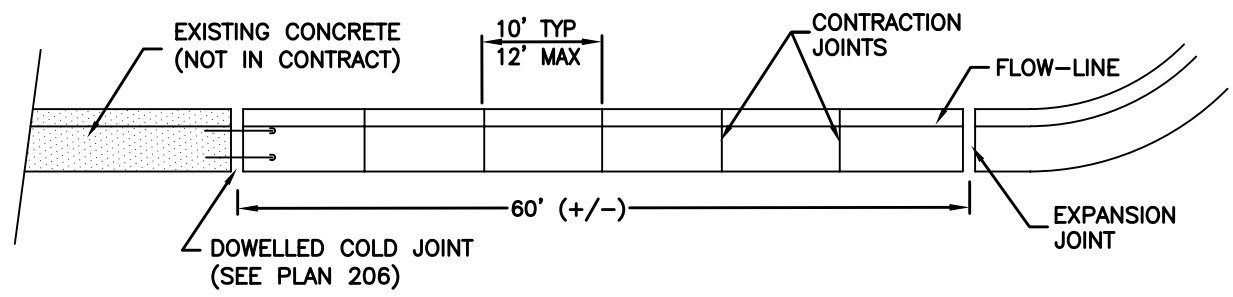
Type F Requires Approval



Type G Requires Approval

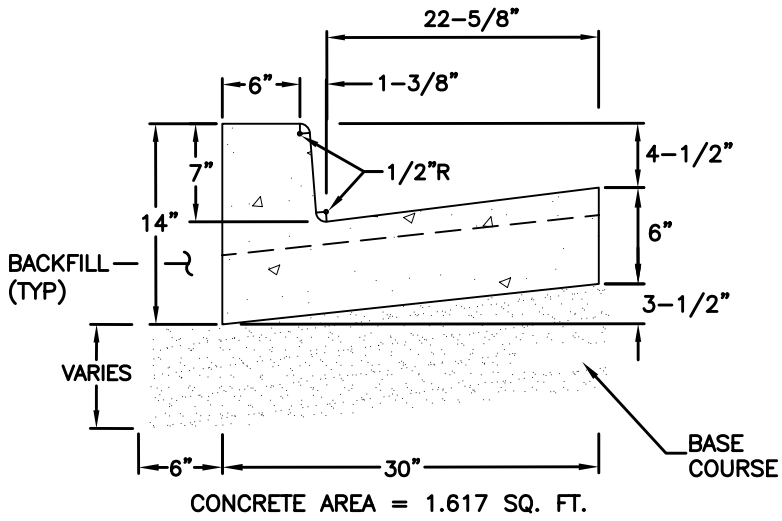


Type H Requires Approval



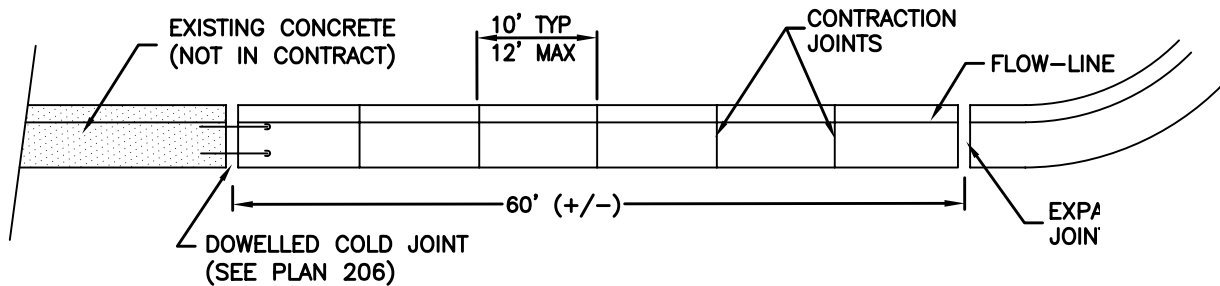
JOINT DETAIL

BACKFILL BEHIND CURB BEFORE
PAVING AGAINST LIP OF GUTTER



Type HB30-7

Requires
Approval



JOINT DETAIL