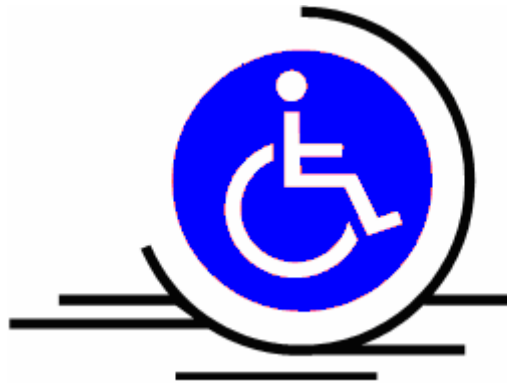


ACCESSIBLE REST ROOM

Code Requirements



Applicable Code References

(Effective December 31, 2005)

(Amendments effective August 1, 2009)

2003 International Building Code portion of the 2005 State Building Code

2005 Connecticut Supplement with 2009 Amendments

2003 International Existing Building Code

2003 International Plumbing Code

2003 ICC/ANSI A117.1-2003

Developed by
Office of the State Building Inspector
Office of Education and Data Management

PLEASE NOTE: This handout is a working tool **ONLY** and is an attempt to set forth the 2005 State Building Code and 2009 Amendment requirements for certain Accessible Toilet Rooms.

Where conflicts between this Handout and the Code occur, the language of the Code shall prevail.

ALSO

This handout does not apply to dwelling units, guestrooms or patient toilet rooms in additions to toilet rooms in occupancies that are not required by the 2005 State Building Code with 2009 Amendments to be accessible.

Table of Contents

Topic	Page
When Required, Accessible Rest Rooms	4 and 7
Toilet and Bathing Facilities	4
Unisex Toilet and Bathing Facilities	4
Existing Facilities Alterations	7
Additional Swing Grab Bar	6
Faucets and Controls	6 and 21
Additional Pull Handle (Water Closet Compartment Door)	5
Water Closets	5
Water Closet Compartments	5 and 11
Grab Bars	13, 14, 15, 22, 26, 29 and 30
Toilet Paper Dispenser	15
Urinals	20
Lavatories, sinks	20
Bathtubs	22
Shower Compartments	25
Seats	31 and 32
Illustrations – Accessible Toilet Rooms	33 and 34
Illustration – Accessible Toilet Room - Grab Bars	35
Accessibility Exemption Form	36

(International Building Code)

Chapter 11 - ACCESSIBILITY

Section 1109 – Other Features and Facilities

1109.1 General. Accessible building features and facilities shall be provided in accordance with Sections 1109.2 through 1109.15.

Exception: Type A and Type B dwelling and sleeping units shall comply with ICC A117.1.

1109.2 Toilet and bathing facilities. Toilet rooms and bathing facilities shall be accessible. Where a floor level is not required to be connected by an accessible route, the only toilet rooms or bathing facilities provided within the facility shall not be located on the inaccessible floor. At least one of each type of fixture, element, control or dispenser in each accessible toilet room and bathing facility shall be accessible.

Exceptions:

1. In toilet rooms or bathing facilities accessed only through a private office, not for common or public use, and intended for use by a single occupant, any of the following alternatives are allowed:
 - 1.1. Doors are permitted to swing into the clear floor space provided the door swing can be reversed to meet the requirements in ICC A117.1,
 - 1.2. The height requirements for the water closet in ICC A117.1 are not applicable,
 - 1.3. Grab bars are not required to be installed in a toilet room, provided that reinforcement has been installed in the walls and located so as to permit the installation of such grab bars, and
 - 1.4. The requirement for height, knee and toe clearance shall not apply to a lavatory.
2. This section is not applicable to toilet and bathing facilities that serve dwelling units or sleeping units that are not required to be accessible by Section 1107.
3. Where multiple single-user toilet rooms or bathing facilities are clustered at a single location and contain fixtures in excess of the minimum required number of plumbing fixtures, at least 5 percent, but not less than one room for each use at each cluster, shall be accessible.
4. Toilet room fixtures that are in excess of those required by the *International Plumbing Code* and that are designated for use by children in day care and primary school occupancies.
5. Where no more than one urinal is provided in a toilet room or bathing facility, the urinal is not required to be accessible.
6. Toilet rooms that are part of critical-care or intensive-care patient sleeping rooms are not required to be accessible.

(Amd) **1109.2.1 Unisex toilet and bathing rooms.** In assembly and mercantile occupancies, one accessible unisex toilet room shall be provided where an aggregate of six or more male and female water closets is required. In buildings of mixed occupancy, only those water closets required for the assembly or mercantile occupancy shall be used to determine the unisex toilet room requirement. In recreational facilities where separate-sex bathing rooms are provided, one accessible unisex bathing room shall be provided. Fixtures located within required unisex toilet and bathing rooms shall be included in determining the number of fixtures provided in an occupancy.

Exception: Where each separate-sex bathing room has only one shower or bathtub fixture, a unisex bathing room is not required.

1109.2.1.1 Standard. Unisex toilet and bathing rooms shall comply with Sections 1109.2.1.2 through 1109.2.1.7 and ICC A117.1.

1109.2.1.2 Unisex toilet rooms. Unisex toilet rooms shall include only one water closet and only one lavatory. A unisex bathing room in accordance with Section 1109.2.1.3 shall be considered a unisex toilet room.

Exception: A urinal is permitted to be provided in addition to the water closet in a unisex toilet room.

1109.2.1.3 Unisex bathing rooms. Unisex bathing rooms shall include only one shower or bathtub fixture. Unisex bathing rooms shall also include one water closet and one lavatory. Where storage facilities are provided for separate-sex bathing rooms, accessible storage facilities shall be provided for unisex bathing rooms.

1109.2.1.4 Location. Unisex toilet and bathing rooms shall be located on an accessible route. Unisex toilet rooms shall be located not more than one story above or below separate-sex toilet rooms. The accessible route from any separate-sex toilet room to a unisex toilet room shall not exceed 500 feet (152 m).

1109.2.1.5 Prohibited location. In passenger transportation facilities and airports, the accessible route from separate-sex toilet rooms to a unisex toilet room shall not pass through security checkpoints.

1109.2.1.6 Clear floor space. Where doors swing into a unisex toilet or bathing room, a clear floor space not less than 30 inches by 48 inches (762 mm by 1219 mm) shall be provided, within the room, beyond the area of the door swing.

1109.2.1.7 Privacy. Doors to unisex toilet and bathing rooms shall be securable from within the room.

1109.2.2 Water closet compartment. Where water closet compartments are provided in a toilet room or bathing facility, at least one wheelchair-accessible compartment shall be provided. Where the combined total water closet compartments and urinals provided in a toilet room or bathing facility is six or more, at least one ambulatory-accessible water closet compartment shall be provided in addition to the wheelchair-accessible compartment. Wheelchair-accessible and ambulatory-accessible compartments shall comply with ICC A117.1.

(Add) (Amd) **1109.2.2.1 Pull handle.** Where accessible water closet compartments or single occupancy toilet rooms are provided, the compartment or room doors shall have a pull handle mounted 6 inches from the hinge side on the compartment or room side of the door. This handle shall be between 26 inches and 36 inches from the floor and shall meet the requirements of Section 404.2.[7]6 of ICC/ANSI A117.1-2003.

Exception: Compartments or rooms with self-closing, self-latching doors.

(Add) **1109.2.3 Single occupancy toilet.** Required accessible toilet rooms designed for single occupancy in other than Group R shall meet the requirements of ICC/ANSI A117.1-2003. Each such room shall

contain both toilet and lavatory, shall have a lever handle privacy lockset and shall have an emergency call system that actuates a visible and audible alarm in a normally occupied area. An alarm pull switch shall be provided within 3 feet of the water closet with a pull cord extending to within 12 inches of the floor. Emergency instructions shall be provided at the occupied location.

(Add) **1109.2.4 Additional grab bar.** In addition to grab bars required by ICC/ANSI A117.1-2003, a separate, additional swing grab bar shall be provided at a minimum of one accessible toilet location for each gender per floor within any non-exempt building. Such additional grab bar shall be located the same distance from the water closet centerline to the side grab bar, parallel to, opposite from, and at the same height as the side grab bar. The additional grab bar shall be floor mounted or wall mounted, and shall fix or latch firmly in place when in use. The mounting height of the required rear bar may be varied to coordinate with the swing grab bar. The swing grab bar shall be not less than 24 inches nor more than 36 inches in length, and shall be capable of swinging and storing against a wall or partition when not required.

Exception: Areas in Groups E, R-1, R-2, R-3 and I-3 not serving public and administrative functions.

(Add) **1109.2.5 Faucets and controls.** The controls to operate a faucet shall be located no more than 25 inches from the front face of a lavatory, kitchen sink, counter or vanity. At least one lavatory per gender per bathroom shall have its faucet and control located within 13 inches from the face of the fixture or vanity front. Lavatory faucets on accessible fixtures shall comply with the requirements of ICC/ANSI A117.1-2003.

1109.3 Sinks. Where sinks are provided, at least 5 percent, but not less than one, provided in accessible spaces shall comply with ICC A117.1.

Exceptions:

1. Mop or service sinks are not required to be accessible.
2. Sinks designated for use by children in day care and primary school occupancies.

(International Building Code)

Chapter 34 – Existing Structures

(Add) 3402.1.1 Definitions.

(Amd) Technically Infeasible. An alteration of a building or a facility that has little likelihood of being accomplished because the existing structural conditions require the removal or alteration of a load-bearing member that is an essential part of the structural frame, or because other existing physical or site constraints prohibit modification or addition of elements, spaces or features that are in full and strict compliance with the minimum requirements for new construction and that are necessary to provide accessibility. The determination of technical infeasibility is made jointly by the State Building Inspector and the Executive Director of the Office of Protection and Advocacy for Persons with Disabilities in accordance with the provisions of subsection (b) of section 29-269 of the Connecticut General Statutes.

Section 3409 – Accessibility for Existing Buildings

(Amd) 3409.5 Alterations. A building, facility or element that is altered shall comply with the applicable provisions in Chapter 11 and ICC/ANSI A117.1-2003, unless technically infeasible. When it has been determined that the alteration is technically infeasible, as defined herein, the alteration shall provide access to the maximum extent technically feasible.

Exceptions:

1. The altered element or space is not required to be on an accessible route, unless required by Section 3409.6.
2. Accessible means of egress required by Chapter 10 are not required to be provided in existing buildings and facilities undergoing alteration.
3. Alterations to individually owned Type A dwelling units within a Group R-2 occupancy shall meet the provisions for Type B dwelling units and shall comply with the applicable provisions of Chapter 11 and ICC/ANSI A117.1-2003.

(Amd) 3409.7 Scoping for alterations. The provisions of Sections 3409.7.1 through 3409.7.12 shall apply to alterations to existing buildings and facilities.

3409.7.9 Toilet rooms. Where it is technically infeasible to alter existing toilet and bathing facilities to be accessible, an accessible unisex toilet or bathing facility is permitted. The unisex facility shall be located on the same floor and in the same area as the existing facility.

(Add) 3409.7.9.1 Directional signage. Where existing toilet or bathing rooms are being altered and are not made accessible, directional signage shall be provided indicating the location of the nearest accessible toilet or bathing facility within the facility.

3409.8 Historic buildings. These provisions shall apply to buildings and facilities designated as historic structures that undergo alterations or a change of occupancy, unless technically infeasible. Where compliance with the requirements for accessible routes, ramps, entrances or toilet facilities would threaten or destroy the historic significance of the building or facility, as determined by the authority having jurisdiction, the alternative requirements of Sections 3409.8.1 through 3409.8.5 for that element shall be permitted.

3409.8.4 Toilet and bathing facilities. Where toilet rooms are provided, at least one accessible toilet room complying with Section 1109.2.1 shall be provided.

(International Existing Building Code)

Chapter 5 – Alterations –Level 1

Section 506 – Accessibility

506.1.9 Toilet rooms. Where it is technically infeasible to alter existing toilet and bathing facilities to be accessible, an accessible unisex toilet or bathing facility is permitted. The unisex facility shall be located on the same floor and in the same area as the existing facility.

Chapter 8 – Change of Occupancy

Section 812 – Change of Occupancy Classification

(NEW) (Amd) **812.5 Accessibility.** Existing buildings or portions thereof that undergo a change of group or occupancy shall have all of the following accessible features:

1. At least one accessible building entrance.
2. At least one accessible route from an accessible building entrance to primary function areas.
3. Signage complying with Section 1110 of the 2003 International Building Code.
4. Accessible parking, where parking is being provided.
5. At least one accessible passenger loading zone, when passenger loading zones are provided.
6. At least one accessible route connecting accessible parking and accessible passenger loading zones to an accessible entrance.
7. At least one accessible toilet room or toilet and bathing facility per gender complying with Section 1109.2 of the 2003 International Building Code.
8. At least one accessible means of egress complying with Section 1007 of the 2003 International Building Code.
9. Type A and Type B units as required by Section 1107 of the 2003 International Building Code.

Where it is technically infeasible as defined in Section 202.1 to comply with the new construction standards for any of these requirements for a change of group or occupancy, the above items shall conform to the requirements to the maximum extent technically feasible. Changes of group or occupancy that incorporate any alterations or additions shall comply with this section and Sections 506.1 and 905.1 as applicable.

Chapter 10 – Historic Buildings

Section 1004 – Alterations

1004.1.4 Toilet and bathing facilities. Where toilet rooms are provided, at least one accessible toilet room shall be provided for each sex, or a unisex toilet room complying with Section 1109.2.1 of the International Building Code shall be provided.

(International Plumbing Code)

Chapter 4 – Fixtures, Faucets and Fixture Fittings

Section 404 - Accessible Plumbing Facilities

404.1 Where required. Accessible plumbing facilities and fixtures shall be provided in accordance with the International Building Code.

(ICC/ANSI A117.1)

Chapter 6 Plumbing Elements and Facilities

603 Toilet and Bathing Rooms

603.1 General. Accessible toilet and bathing rooms shall comply with Section 603.

603.2 Clearances.

603.2.1 Turning Space. A turning space complying with Section 304 shall be provided within the room.

603.2.2 Overlap. Clear floor spaces, clearances at fixtures, and turning spaces shall be permitted to overlap.

603.2.3 Door Swing. Doors shall not swing into the clear floor space or clearance for any fixture.

EXCEPTIONS:

1. Doors to a toilet and bathing room for a single occupant, accessed only through a private office and not for common use or public use shall be permitted to swing into the clear floor space, provided the swing of the door can be reversed to meet Section 603.2.3.
2. Where the room is for individual use and a clear floor space complying with Section 305.3 is provided within the room beyond the arc of the door swing.

603.3 Mirrors. Mirrors located above lavatories, sinks or counters shall be mounted with the bottom edge of the reflecting surface 40 inches (1015 mm) maximum above the floor. Mirrors not located above lavatories, sinks or counters shall be mounted with the bottom edge of the reflecting surface 35 inches (890 mm) maximum above the floor.

603.4 Coat Hooks and Shelves. Coat hooks shall be located within one of the reach ranges specified in Section 308. Shelves shall be 40 inches (1015 mm) minimum and 48 inches (1220 mm) maximum above the floor.

(ICC/ANSI A117.1)

604 Water Closet and Toilet Compartments

ICC/ANSI A117.1 – 2003

604.1 General. Accessibility water closets and toilet compartments shall comply with Sections 604. Compartments containing more than one plumbing fixture shall comply with Section 603. Wheelchair accessible compartments shall comply with Section 604.8. Ambulatory accessible compartments shall comply with Section 604.9.

EXCEPTION: Water closets and toilet compartments primarily for children’s use shall be permitted to comply with Section 604.10 as applicable.

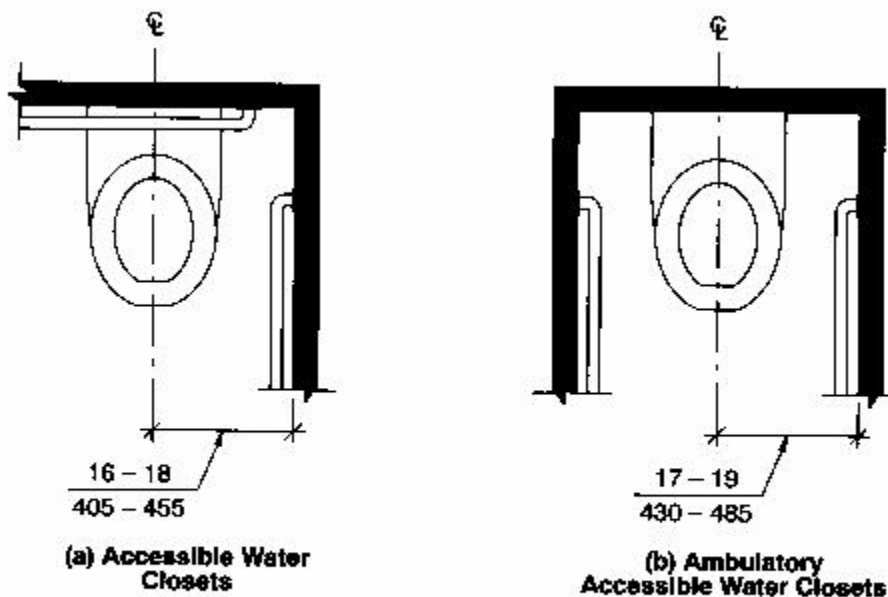
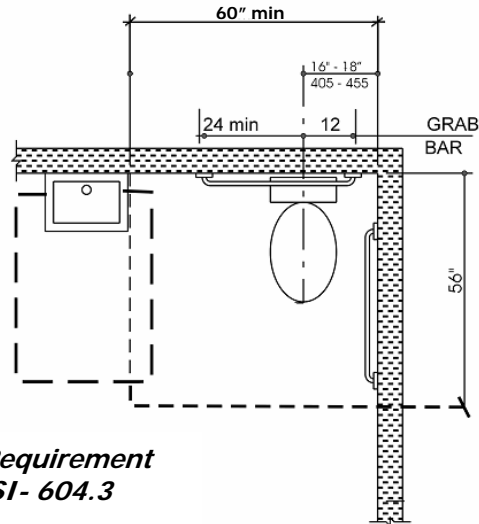


Fig. 604.2
Water Closet Location

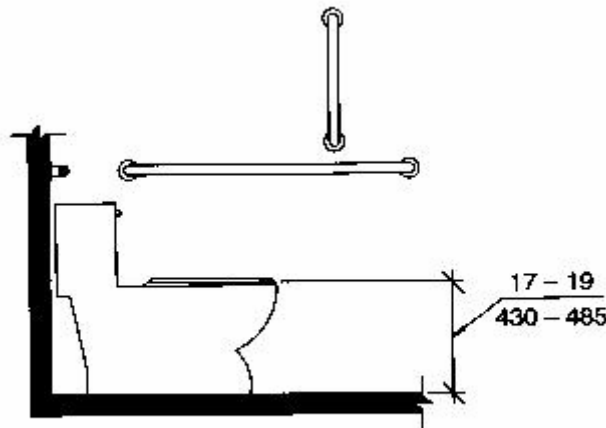
604.2 Location. Water closet shall be positioned with a wall or partition to the rear and to one side. The centerline of the water closet shall be 16 inches (405 mm) minimum to 18 inches (455 mm) maximum from the side wall or partition. Water closet in the ambulatory accessible compartments specified in Section 604.9 shall have centerline of the water closet 17 inches (430 mm) minimum to 19 inches (485 mm) maximum from the side wall or partition.



604.3 Clearance

604.3.1 Size. Clearance around the water closet shall be 60 inches (1525 mm) minimum, measured perpendicular from the side wall, and 56 inches (1420 mm) minimum, measured perpendicular from the rear wall. No other fixtures or obstructions shall be within the water closet clearance.

604.3.2 Overlap. The required clearance around the water closet shall be permitted to overlap the water closet, associated grab bars, paper dispensers, sanitary napkins receptacles, coat hooks, shelves, accessible routes, clear floor space at other fixtures and the turning space. No other fixtures or obstructions shall be within the required water closet clearance.



**Fig. 604.4
 Water Closet Height**

604.4 Height. The top of the water closet seats shall be 17 inches (430 mm) minimum and 19 inches (485 mm) maximum above the floor or ground. Seats shall not be sprung to return to a lifted position.

EXCEPTION: A water closet in a toilet room for a single occupant, accessed only through a private office and not for common use or public use, shall not be required to comply with Section 604.4

604.5 Grab Bars. Grab bars for water closets shall comply with Section 609 and shall be provided in accordance with Sections 604.5.1 and 604.5.2. Grab bars shall be provided on the rear wall and on the side wall closest to the water closet.

EXCEPTIONS:

1. Grab bars are not required to be installed in a toilet room for a single occupant, accessed only through a private office and not for common use or public use, provided reinforcement has been installed in walls and located so as to permit the installation of grab bars complying with Section 604.5.
2. In detention or correction facilities, grab bars are not required to be installed in housing or holding cells or rooms that are specially designed without protrusions for purposes of suicide prevention.
3. In Type A units, grab bars are not required to be installed where reinforcement complying with Section 1003.11.4 is installed for the future installation of grab bars.
4. In Type B units located in institutional facilities and assisted living facilities, two swing-up grab bars shall be permitted to be installed in lieu of the rear wall and side wall grab bars. Swing-up grab bars shall comply with Sections 604.5.3 and 609.
5. In a Type B unit, where fixtures are located on both sides of the water closet, a swing-up grab bar complying with Sections 604.5.3 and 609 shall be permitted. The swing-up grab bar shall be installed on the side of the water closet with the 18 inch (455 mm) clearance required by Section 1004.11.3.1.2.

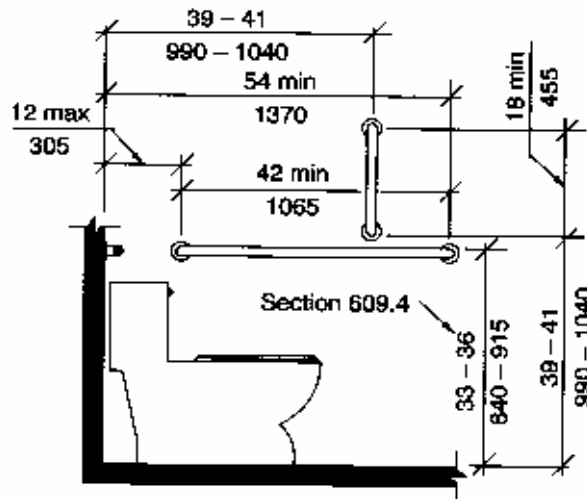


Fig. 604.5.1
Side Wall Grab Bar for Water Closet

604.5.1 Fixed Side Wall Grab Bars. Fixed sidewall grab bars shall be 42 inches (1065 mm) minimum in length, located 12 inches (305 mm) maximum from the rear wall and extending 54 inches (1370 mm) minimum from the rear wall. In addition, a vertical grab bar 18 inches (455 mm) minimum in length shall be mounted with the bottom of the bar located between 39 inches (990 mm) and 41 inches (1040 mm) above the floor, and with the center line of the bar located between 39 inches (990 mm) and 41 inches (1040 mm) from the rear wall.

EXCEPTIONS:

1. In Type A and Type B units, the vertical grab bar component is not required.
2. In a Type B unit, when a side wall is not available for a 42-inch (1065 mm) grab bar, the sidewall grab bar shall be permitted to be 18 inches (455 mm) minimum in length, located 12

inches (305 mm) maximum from the rear wall and extending 30 inches (760 mm) minimum from the rear wall.

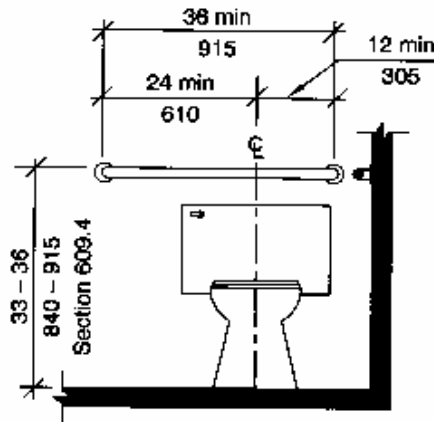


Fig. 804.5.2
 Rear Wall Grab Bar for Water Closet

604.5.2 Rear Wall Grab Bars. The rear wall grab bar shall be 36 inches (915 mm) minimum in length, and extend from the centerline of the water closet 12 inches (305 mm) minimum on the side closest to the wall, and 24 inches (610 mm) minimum on the transfer side.

EXCEPTIONS:

1. The rear grab bar shall be permitted to be 24 inches (610 mm) minimum in length, centered on the water closet, where wall space does not permit a grab bar 36 inches (915 mm) minimum in length due to the location of a recessed fixture adjacent to the water closet.
2. In a Type A or Type B unit, the rear grab bar shall be permitted to be 24 inches (610 mm) minimum in length, centered on the water closet, where wall space does not permit a grab bar 36 inches (915 mm) minimum in length.
3. Where an administrative authority requires flush controls for flush valves to be located in a position that conflicts with the location of the rear grab bar, that grab bar shall be permitted to be split or shifted to the open side of the toilet area.

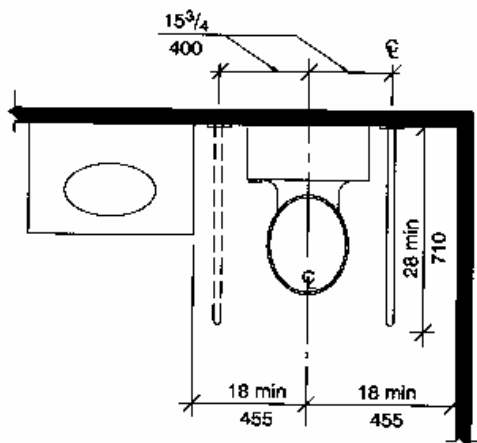


Fig. 604.5.3
 Swing-up Grab Bar for Water Closet

(NEW) (Amd) **604.5.3 Swing-up Grab Bars.** Where swing-up grab bars are installed in Type B dwelling units, a clearance of 18 inches minimum from the centerline of the water closet to any side wall or obstruction shall be provided. A swing-up grab bar shall be installed with the centerline of the grab bar 15 ¾ inches from the centerline of the water closet. Swing-up grab bars shall be 28 inches minimum in length, measured from the wall to the end of the horizontal portion of the grab bar.

604.6 Flush Controls. Flush controls shall be hand operated or automatic. Hand operated flush controls shall comply with Section 309. Flush controls shall be located on the open side of the water closet.
EXCEPTION: In ambulatory accessible compartments complying with Section 604.9, flush controls shall be permitted to be located on either side of the water closet.

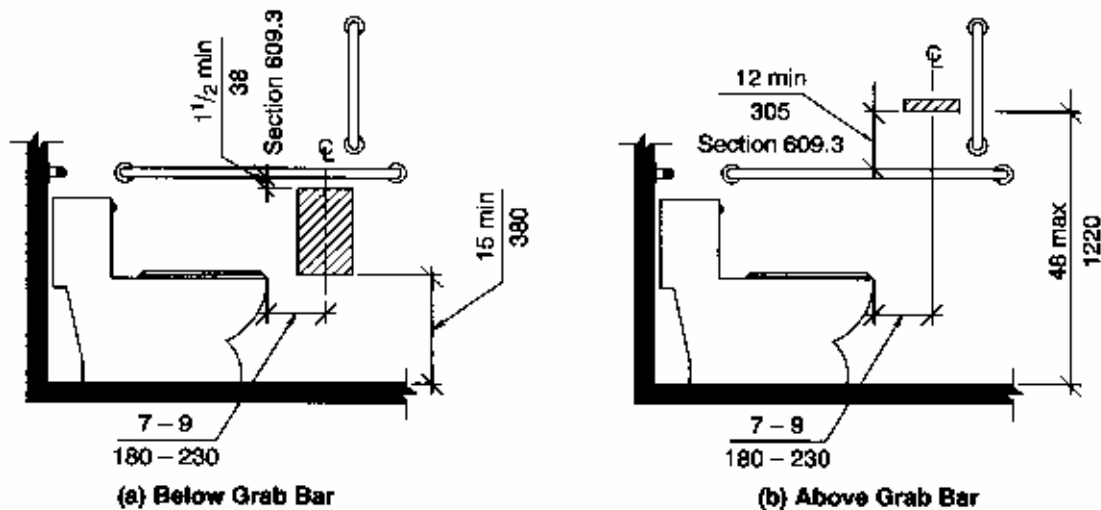


Fig. 604.7
Dispenser Location

604.7 Dispensers. Toilet paper dispensers shall comply with Section 309.4 and shall be 7 inches (180 mm) minimum and 9 inches (230 mm) maximum in front of the water closet measured to the centerline of the dispenser. The outlet of the dispenser shall be 15 inches (380 mm) minimum and 48 inches (1220 mm) maximum above the floor, and shall not be located behind the grab bars. Dispensers shall not be of a type that control delivery, or do not allow continuous paper flow.

ANSI 604.8 Wheelchair Accessible Compartments.

604.8.1 General. Wheelchair accessible compartments shall comply with Section 604.8.

604.8.2 Size. The minimum area of a wheelchair accessible compartment shall be 60 inches (1525 mm) minimum in width measured perpendicular to the side wall, and 56 inches (1420 mm) minimum in depth for wall hung water closets, and 59 inches (1500 mm) minimum in depth for floor mounted water closets measured perpendicular to the rear wall. The minimum area of a wheelchair accessible compartment for primarily children's use shall be 60 inches (1525 mm) minimum in width measured perpendicular to the side wall, and 59 inches (1500 mm) minimum in depth for wall hung and floor mounted water closets measured perpendicular to the rear wall.

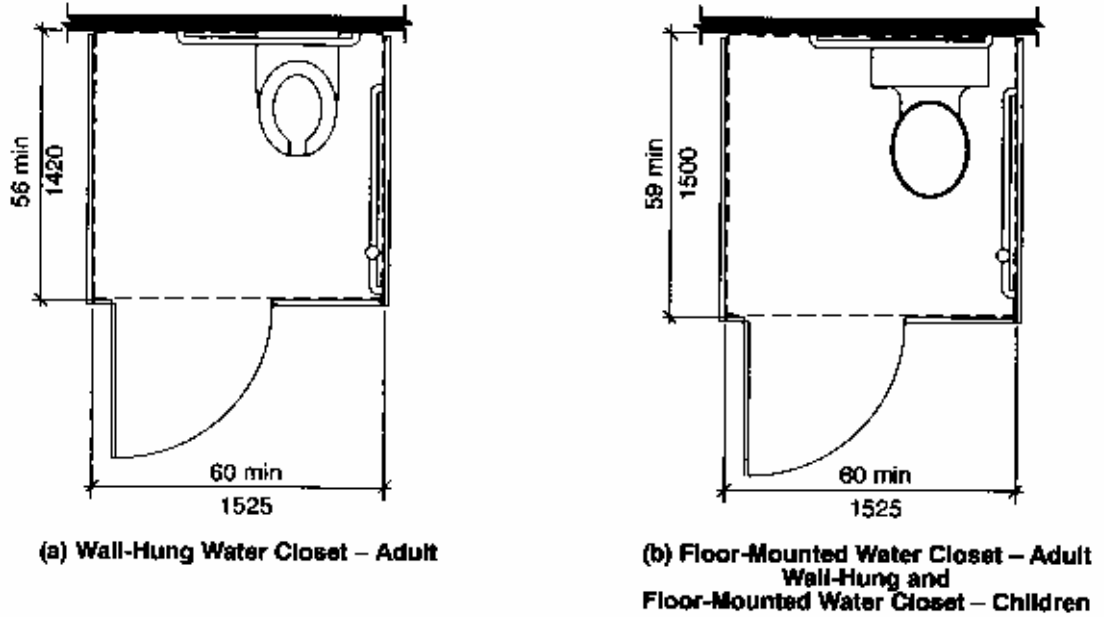


Fig. 604.8.2
Wheelchair Accessible Toilet Compartments

604.8.3 Doors. Toilet compartment doors, including door hardware, shall comply with Section 404.1, except if the approach is to the latch side of the compartment door clearance between the door side of the stall and any obstruction shall be 42 inches (1065 mm) minimum. Doors shall be located in the front partition or in the side wall or partition farthest from the water closet. Where located in the front partition, the door opening shall be 4 inches (100 mm) maximum from the side wall or partition farthest from the water closet. Where located in the side wall or partition, the door opening shall be 4 inches (100 mm) maximum from the front partition. The door shall be self-closing. A door pull complying with Section 404.2.6 shall be placed on both sides of the door near the latch. Toilet compartment doors shall not swing into the required minimum area of the compartment.

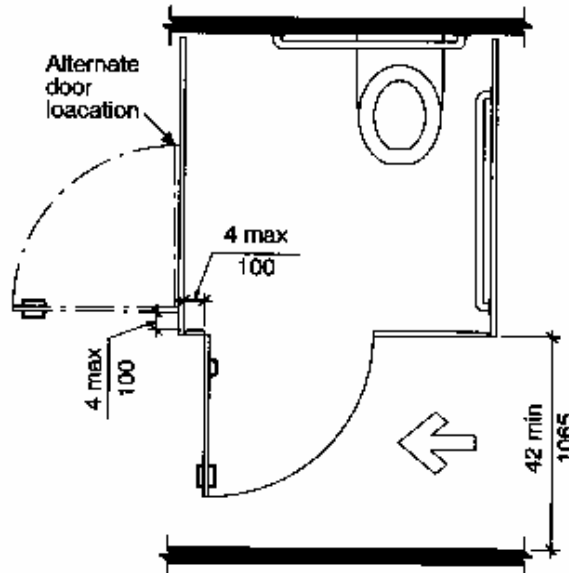


Fig. 604.8.3
Wheelchair Accessible Compartment Doors

604.8.4 Approach. Wheelchair accessible compartments shall be arranged for left-hand or right-hand approach to the water closet.

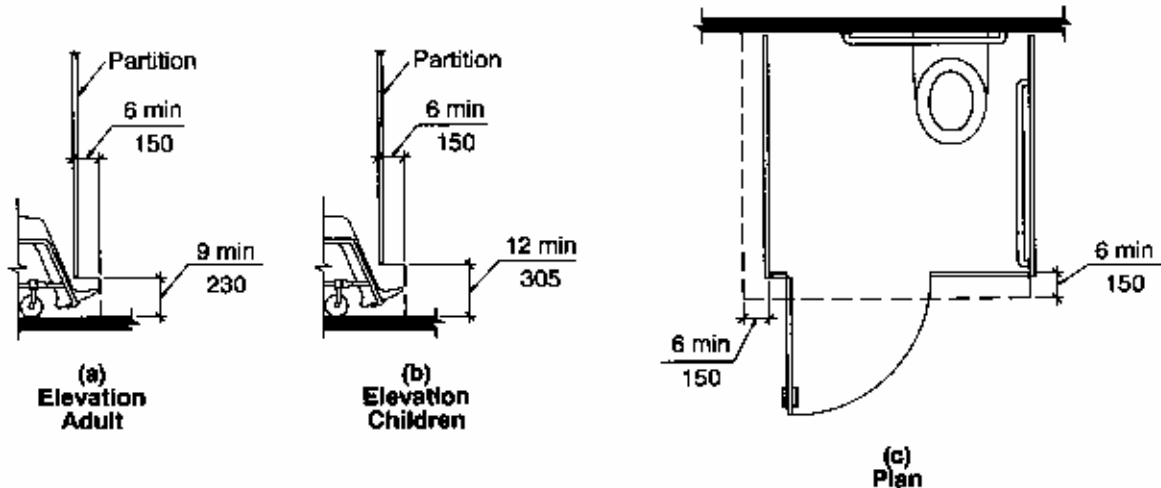


Fig. 604.8.5
Wheelchair Accessible Compartment Toe Clearance

604.8.5 Toe Clearance. The front partition and at least one side partition shall provide a toe clearance of 9 inches (230 mm) minimum above the floor and extending 6 inches (150 mm) beyond the compartment side face of the partition, exclusive of partition support members. Compartments primarily for children’s use shall provide a toe clearance of 12 inches (305 mm) minimum above the floor and extending 6 inches (150 mm) beyond the compartment side face of the partition, exclusive of partition support members.

EXCEPTIONS:

1. Toe clearance at the front partition is not required in a compartment greater than 62 inches (1575 mm) in depth with a wall-hung water closet, or greater than 65 inches (1650 mm) in depth with a floor-mounted water closet. In a compartment primarily for children’s use, greater than 65 inches (1650 mm) in depth, toe clearance at the front partition is not required.
2. Toe clearance at the side partition is not required in a compartment greater than 66 inches (1675 mm) in width.

604.8.6 Grab Bars. Grab bars shall comply with Section 609. Side wall grab bars complying with Section 604.5.1 located on the wall closest to the water closet, and a rear wall grab bar complying with Section 604.5.2, shall be provided.

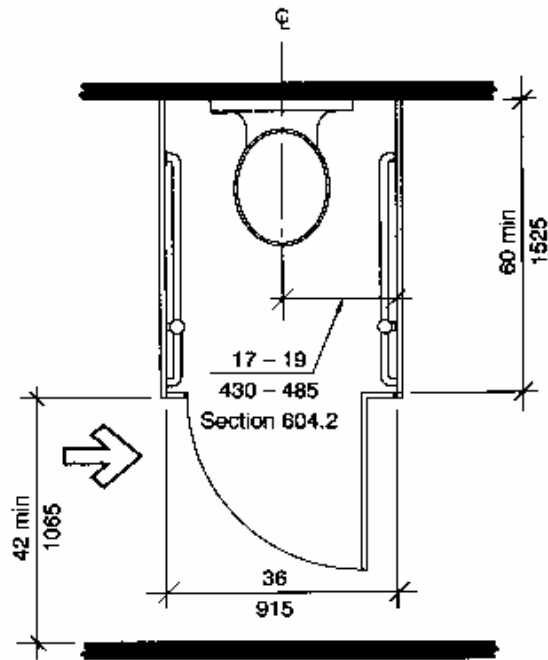


Fig. 604.9
Ambulatory Accessible Compartment

604.9 Ambulatory Accessible Compartments.

604.9.1 General. Ambulatory accessible compartments shall comply with Section 604.9.

604.9.2 Size. The minimum area of an ambulatory accessible compartment shall be 60 inches (1525 mm) minimum in depth and 36 inches (915 mm) in width.

604.9.3 Doors. Toilet compartment doors, including door hardware, shall comply with Section 404, except if the approach is to the latch side of the compartment door the clearance between the door side of the compartment and any obstruction shall be 42 inches (1065 mm) minimum. The door shall be self-closing. A door pull complying with Section 404.2.6 shall be placed on both sides of the door near the latch. Compartment doors shall not swing into the required minimum area of the compartment.

604.9.4 Grab Bars. Grab bars shall comply with Section 609. Side wall grab bars complying with Section 604.5.1 shall be provided on both sides of the compartment.

604.11 Coat Hooks and Shelves. Coat hooks provided within toilet compartments shall be 48 inches (1220 mm) maximum above the floor. Shelves shall be 40 inches (1015 mm) minimum and 48 inches (1220 mm) maximum above the floor.

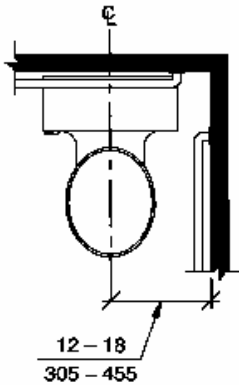


Fig. 604.10.2
Children's Water Closet Location

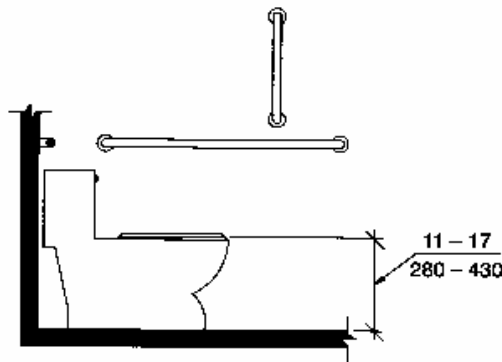


Fig. 604.10.4
Children's Water Closet Height

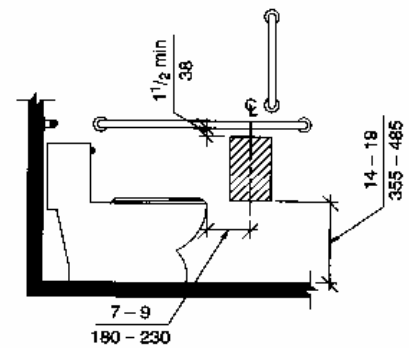


Fig. 604.10.7
Children's Dispenser Location

604.10 Water Closets and Toilet Compartments for Children's Use.

604.10.1 General. Accessible water closets and toilet compartments primarily for children's use shall comply with Section 604.10.

604.10.2 Location. The water closet shall be located with a wall or partition to the rear and to one side. The centerline of the water closet shall be 12 inches (305 mm) minimum to 18 inches (455 mm) maximum from the side wall or partition. Water closets located in ambulatory accessible toilet compartments specified in Section 604.9 shall be located as specified in Section 604.2.

604.10.3 Clearance. A clearance around a water closet complying with Section 604.3 shall be provided.

604.10.4 Height. The height of water closet seats shall be 11 inches (280 mm) minimum and 17 inches (430 mm) maximum above the floor, measured to the top of the seat. Seats shall not be sprung to return to a lifted position.

604.10.6 Flush Controls. Flush controls shall be hand operated or automatic. Hand operated flush controls shall comply with Sections 309.2 and 309.4 and shall be installed 36 inches (915 mm) maximum above the floor. Flush controls shall be located on the open side of the water closet.

EXCEPTION: In ambulatory accessible compartments complying with Section 604.9, flush controls shall be permitted to be located on either side of the water closet.

604.10.7 Dispensers. Toilet paper dispensers shall comply with Section 309.4 and shall be 7 inches (180 mm) minimum and 9 inches (230 mm) maximum in front of the water closet measured to the center line of the dispenser. The outlet of the dispenser shall be 14 inches (355 mm) minimum and 19 inches (485 mm) maximum above the floor. There shall be a clearance of 1 1/2 inches (38 mm) minimum below the grab bar. Dispensers shall not be of a type that control delivery or do not allow continuous paper flow.

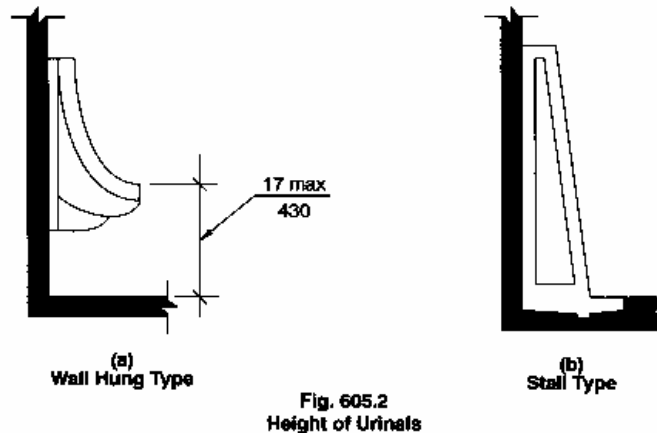
604.10.8 Toilet Compartments. Toilet compartments shall comply with Sections 604.8 and 604.9, as applicable.

(ICC/ANSI A117.1)

605 Urinals

605.1 General. Accessible urinals shall comply with Section 605.

605.2 Height. Urinals shall be of the stall type or shall be of the wall hung type with the rim at 17 inches (430 mm) maximum above the floor.



605.3 Clear Floor Space. A clear floor space complying with Section 305, positioned for forward approach, shall be provided.

605.4 Flush Controls. Flush controls shall be hand operated or automatic. Hand operated flush controls shall comply with Section 309

606 Lavatories and Sinks

606.1 General. Accessible lavatories and sinks shall comply with Section 606.

606.2 Clear Floor Space. A clear floor space complying with Section 305.3, positioned for forward approach, shall be provided. Knee and toe clearance complying with Section 306 shall be provided. The dip of the overflow shall not be considered in determining knee and toe clearances.

EXCEPTIONS:

1. A parallel approach complying with Section 305 shall be permitted to a kitchen sink in a space where a cook top or conventional range is not provided.
2. The requirement for knee and toe clearance shall not apply to a lavatory in a toilet and bathing facility for a single occupant, accessed only through a private office and not for common use or public use.
3. A knee clearance of 24 inches (610 mm) minimum above the floor shall be permitted at lavatories and sinks used primarily by children ages 6 through 12 where the rim or counter surface is 31 inches (785 mm) maximum above the floor.
4. A parallel approach complying with Section 305 shall be permitted at lavatories and sinks used primarily by children ages 5 and younger.

5. The requirement for knee and toe clearance shall not apply to more than one bowl of a multibowl sink.
6. A parallel approach shall be permitted at wet bars.

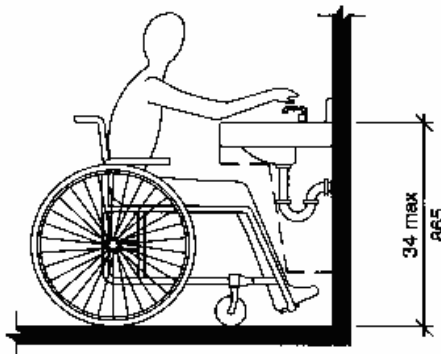
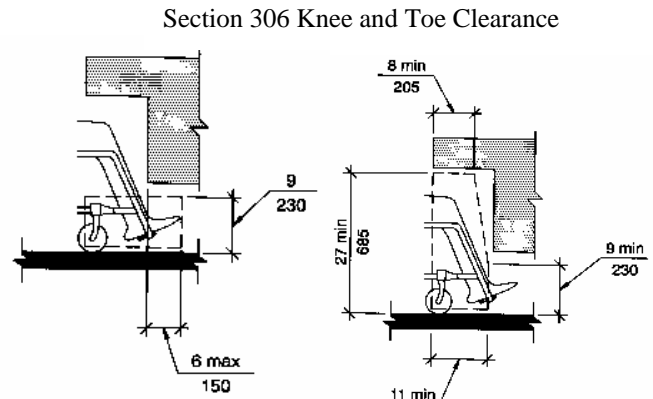


Fig. 606.3
Height of Lavatories and Sinks



(a)
Elevation
Fig. 306.2
Toe Clearance

(a)
Elevation
Fig. 306.3
Knee Clearance

606.3 Height. The front of lavatories and sinks shall be 34 inches (865 mm) maximum above the floor, measured to the higher of the rim or counter surface.

EXCEPTION: A lavatory in a toilet and bathing facility for a single occupant, accessed only through a private office and not for common use or public use, shall not be required to comply with Section 606.3.

606.4 Faucets. Faucets shall comply with Section 309. Hand-operated metering faucets shall remain open for 10 seconds minimum.

606.5 Lavatories with Enhanced Reach Range. Where enhanced reach range is required at lavatories, faucets and soap dispenser controls shall have a reach depth of 11 inches (280 mm) maximum or, if automatic, shall be activated within a reach depth of 11 inches (280 mm) maximum. Water and soap flow shall be provided with a reach depth of 11 inches (280 mm) maximum.

EXCEPTION: In Type A and Type B units, reach range for lavatory faucets and soap dispensers is not required.

606.6 Exposed Pipes and Surfaces. Water supply and drainpipes under lavatories and sinks shall be insulated or otherwise configured to protect against contact. There shall be no sharp or abrasive surfaces under lavatories and sinks.

606.7 Operable Parts. Operable parts on towel dispensers and hand dryers shall comply with Table 606.7.

Table 606.7
Maximum Reach Depth and Height

Maximum Reach Depth	.5 inch (13 mm)	2 inches (50 mm)	5 inches (125 mm)	6 inches (150 mm)	9 inches (230 mm)	11 inches (280 mm)
Maximum Reach Height	48 inch (1220 mm)	46 inch (1170mm)	42 inches (1065mm)	40 inches (1015 mm)	36 inches (915 mm)	34 inches (865 mm)

(ICC/ANSI A117.1)

607 Bathtubs

607.1 General. Accessible bathtubs shall comply with Section 607.

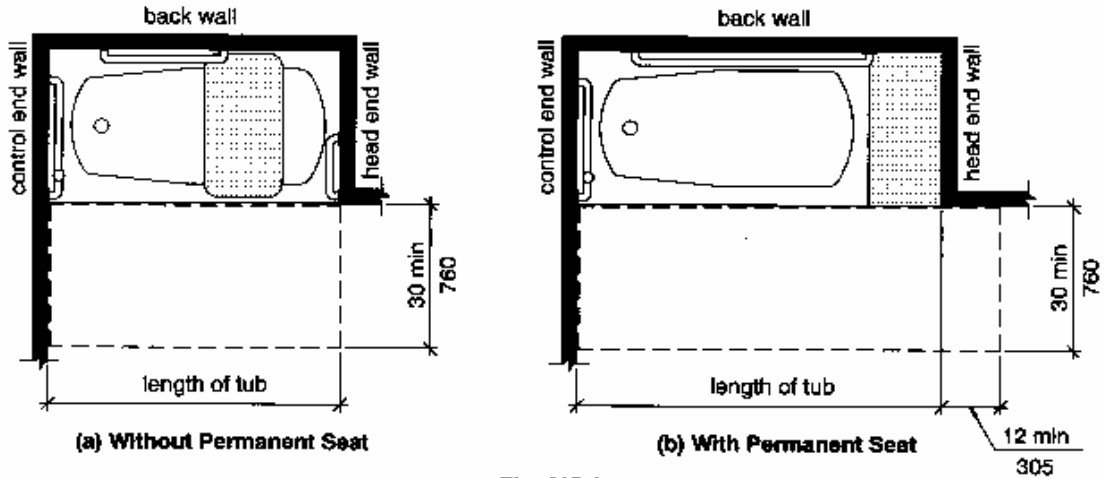


Fig. 607.2
Clearance for Bathtubs

607.2 Clearance. A clearance in front of bathtubs extending the length of the bathtub and 30 inches (760 mm) minimum in depth shall be provided. Where a permanent seat is provided at the head end of the bathtub, the clearance shall extend 12 inches (305 mm) minimum beyond the wall at the head end of the bathtub.

607.3 Seat. A permanent seat at the head end of the bathtub or a removable in-tub seat shall be provided. Seats shall comply with Section 610.

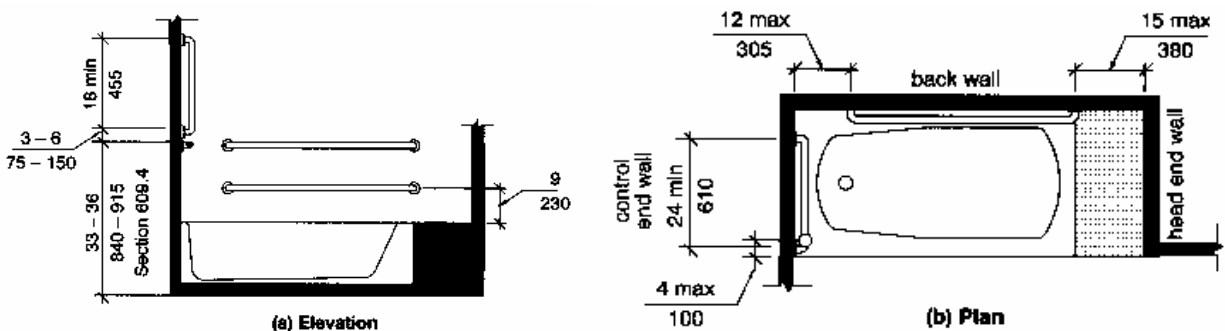


Fig. 607.4.1
Grab Bars for Bathtubs with Permanent Seats

607.4 Grab Bars. Grab bars shall comply with Section 609 and shall be provided in accordance with Section 607.4.1 or 607.4.2.

EXCEPTIONS:

1. Grab bars shall not be required to be installed in a bathing facility for a single occupant accessed only through a private office and not for common use or public use, provided reinforcement has been

installed in walls and located so as to permit the installation of grab bars complying with Section 607.4.

2. In Type A units, grab bars are not required to be installed where reinforcement complying with Section 1003.11.9 is installed for the future installation of grab bars.

607.4.1 Bathtubs with Permanent Seats. For bathtubs with permanent seats, grab bars complying with Section 607.4.1 shall be provided.

607.4.1.1 Back Wall. Two horizontal grab bars shall be provided on the back wall, one complying with Section 609.4 and the other 9 inches (230 mm) above the rim of the bathtub. Each grab bar shall be located 15 inches (380 mm) maximum from the head end wall and extend to 12 inches (305 mm) maximum from the control end wall.

607.4.1.2 Control End Wall. Control end wall grab bars shall comply with Section 607.4.1.2.
EXCEPTION: An L-shaped continuous grab bar of equivalent dimensions and positioning shall be permitted to serve the function of separate vertical and horizontal grab bars.

607.4.1.2.1 Horizontal Grab Bar. A horizontal grab bar 24 inches (610 mm) minimum in length shall be provided on the control end wall at the front edge of the bathtub.

607.4.1.2.2 Vertical Grab Bar. A vertical grab bar 18 inches (455 mm) minimum in length shall be provided on the control end wall 3 inches (75 mm) minimum to 6 inches (150 mm) maximum above the horizontal grab bar, and 4 inches (100 mm) maximum inward from the front edge of the bathtub.

607.4.2 Bathtubs without Permanent Seats. For bathtubs without permanent seats, grab bars complying with Section 607.4.2 shall be provided.

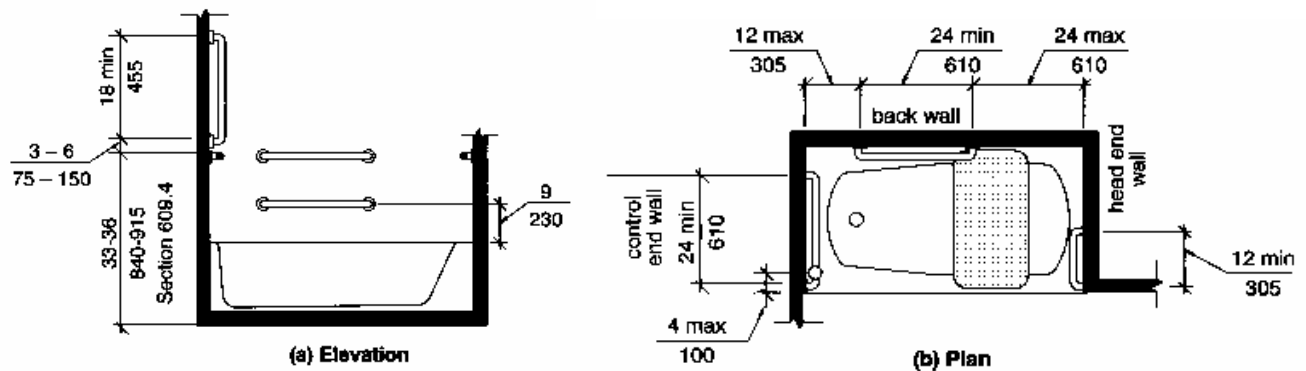


Fig. 607.4.2
Grab Bars for Bathtubs without Permanent Seats

607.4.2.1 Back Wall. Two horizontal grab bars shall be provided on the back wall, one complying with Section 609.4 and the other 9 inches (230 mm) above the rim of the bathtub. Each grab bar shall be 24 inches (610 mm) minimum in length, located 24 inches (610 mm) maximum from the head end wall and extend to 12 inches (305 mm) maximum from the control end wall.

607.4.2.2 Control End Wall. Control end wall grab bars shall comply with Section 607.4.2.2.
EXCEPTION: An L-shaped continuous grab bar of equivalent dimensions and positioning shall be permitted to serve the function of separate vertical and horizontal grab bars.

607.4.2.2.1 Horizontal Grab Bar. A horizontal grab bar 24 inches (610 mm) minimum in length shall be provided on the control end wall beginning near the front edge of the bathtub and extend toward the inside corner of the bathtub.

607.4.2.2.2 Vertical Grab Bar. A vertical grab bar 18 inches (455 mm) minimum in length shall be provided on the control end wall 3 inches (76 mm) minimum to 6 inches (150 mm) maximum above the horizontal grab bar, and 4 inches (102 mm) maximum inward from the front edge of the bathtub.

607.4.2.3 Head End Wall. A horizontal grab bar 12 inches (305 mm) minimum in length shall be provided on the head end wall at the front edge of the bathtub.

(Amd) **607.5 Controls.** Controls, other than drain stoppers, shall be provided on an end wall, located between the bathtub rim and grab bar, and between the open side of the bathtub and the midpoint of the width of the bathtub. Controls shall comply with Section 309.4.

Exception: Controls in Group I-2 long-term health care facilities that provide supervised, assisted bathing shall be permitted to be located outside of the bathtub compartment.

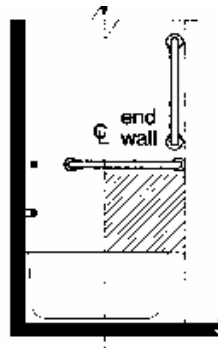


Fig. 607.5
Location of Bathtub Controls

607.6 Hand Shower. A hand shower with a hose 59 inches (1500 mm) minimum in length, that can be used as both a fixed shower head and as a hand shower, shall be provided. The hand shower shall have a control with a nonpositive shut-off feature. An adjustable-height hand shower mounted on a vertical bar shall be installed so as to not obstruct the use of grab bars.

607.7 Bathtub Enclosures. Enclosures for bathtubs shall not obstruct controls or transfer from wheelchairs onto bathtub seats or into bathtubs. Enclosures on bathtubs shall not have tracks installed on the rim of the bathtub.

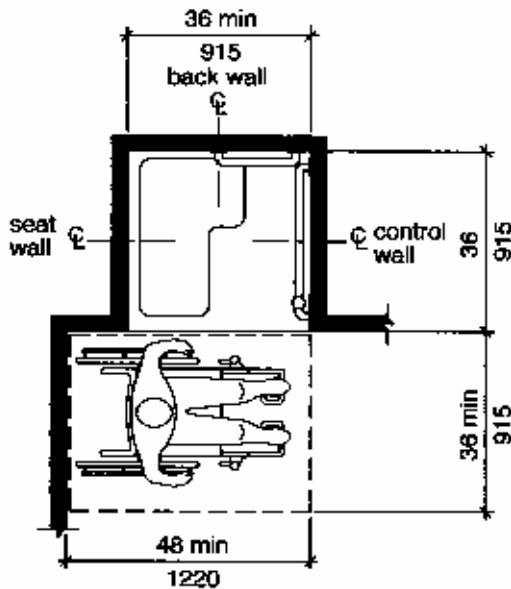
607.8 Water Temperature. Bathtubs shall deliver water that is 120 degrees F (49 degrees C) maximum.

(ICC/ANSI A117.1)

608 Shower Compartments

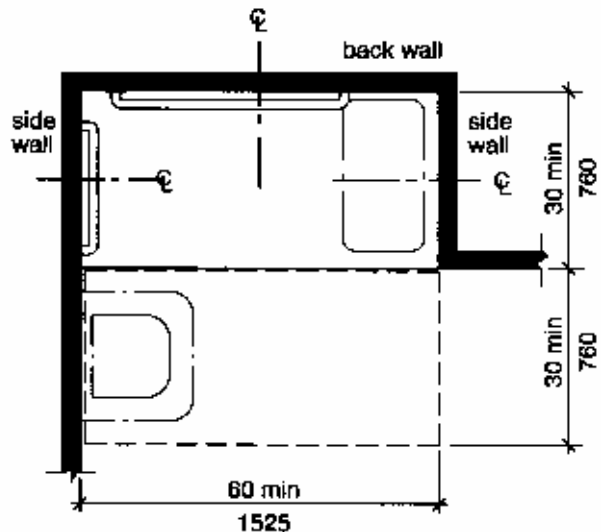
608.1 General. Accessible shower compartments shall comply with Section 608.

608.2 Size and Clearances.



Note: inside finished dimensions measured at the center points of opposing sides

Fig. 608.2.1
Transfer-Type Shower Compartment
Size and Clearance



Note: inside finished dimensions measured at the center points of opposing sides

Fig. 608.2.2
Standard Roll-in-Type Shower Compartment
Size and Clearance

608.2.1 Transfer-Type Shower Compartments. Transfer-type shower compartments shall have a clear inside dimension of 36 inches (915 mm) in width and 36 inches (915 mm) in depth, measured at the center point of opposing sides. An entry 36 inches (915 mm) minimum in width shall be provided. A clearance of 48 inches (1220 mm) minimum in length measured perpendicular from the control wall, and 36 inches (915 mm) minimum in depth shall be provided adjacent to the open face of the compartment.

608.2.2 Standard Roll-in-Type Shower Compartments. Standard roll-in-type shower compartments shall have a clear inside dimension of 60 inches (1525 mm) minimum in width and 30 inches (760 mm) minimum in depth, measured at the center point of opposing sides. An entry 60 inches (1525 mm) minimum in width shall be provided. A clearance of 60 inches (1525 mm) minimum in length adjacent to the 60-inch (1525 mm) width of the open face of the shower compartment, and 30 inches (760 mm) minimum in depth, shall be provided. A lavatory complying with Section 606 shall be permitted at the end of the clearance opposite the shower compartment side where shower controls are positioned. Where shower controls are located on the back wall and no seat is provided, the lavatory shall be permitted at either end of the clearance.

608.2.3 Alternate Roll-in-Type Shower Compartments. Alternate roll-in shower compartments shall have a clear inside dimension of 60 inches (1525 mm) minimum in width, and 36 inches (915 mm) in depth, measured at the center point of opposing sides. An entry 36 inches (915 mm) minimum in width shall be provided at one end of the 60-inch (1525 mm) width of the compartment. A seat wall, 24 inches (610 mm) minimum and 36 inches (915 mm) maximum in length, shall be provided on the entry side of the compartment.

608.3 Grab Bars. Grab bars shall comply with Section 609 and shall be provided in accordance with Section 608.3. Where multiple grab bars are used, required horizontal grab bars shall be installed at the same height above the floor.

EXCEPTIONS:

1. Grab bars are not required to be installed in a shower facility for a single occupant, accessed only through a private office and not for common use or public use, provided reinforcement has been installed in walls and located so as to permit the installation of grab bars complying with Section 608.3.
2. In Type A units, grab bars are not required to be installed where reinforcement complying with Section 1003.11.9 is installed for the future installation of grab bars.

608.3.1 Transfer-Type Showers. Grab bars for transfer type showers shall comply with Section 608.3.1.

608.3.1.1 Horizontal Grab Bars. Horizontal grab bars shall be provided across the control wall and on the back wall to a point 18 inches (455 mm) from the control wall.

608.3.1.2 Vertical Grab Bar. A vertical grab bar 18 inches (455 mm) minimum in length shall be provided on the control end wall 3 inches (75 mm) minimum to 6 inches (150 mm) maximum above the horizontal grab bar, and 4 inches (100 mm) maximum inward from the front edge of the shower.

608.3.1.3 Grab Bar Configuration. Grab bars complying with Sections 608.3.1.1 and 608.3.1.2 shall be permitted to be separate bars, a single piece bar, or combination thereof.

608.3.2 Standard Roll-in-Type Showers. In standard roll-in type showers, grab bars shall be provided on three walls of showers without seats. Where a seat is provided in a standard roll-in type shower, grab bars shall be provided on the back wall and on the wall opposite the seat. Grab bars shall not be provided above the seat. Grab bars shall be 6 inches (150 mm) maximum from the adjacent wall.

608.3.3 Alternate Roll-in-Type Showers. In alternate roll-in type showers, grab bars shall be provided on the back wall and the end wall adjacent to the seat. Grab bars shall not be provided above the seat. Grab bars shall be 6 inches (150 mm) maximum from the adjacent wall.

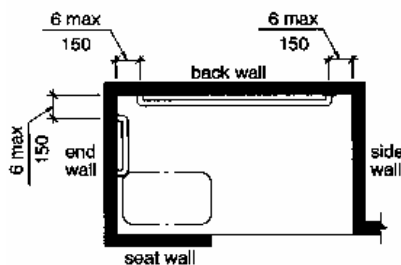


Fig. 608.3.3
Grab Bars in Alternate Roll-in-Type Showers

608.4 Seats. A folding or nonfolding seat shall be provided in transfer-type shower compartments. A seat shall be provided in an alternate roll-in-type shower compartment. In standard and alternate roll-in-type showers where a seat is provided, if the seat extends over the minimum clear inside dimension required by Section 608.2.2 or 608.2.3, the seat shall be a folding seat. Seats shall comply with Section 610.

EXCEPTIONS:

1. A shower seat is not required to be installed in a shower facility for a single occupant, accessed only through a private office and not for common use or public use, provided reinforcement has been installed in walls and located so as to permit the installation of a shower seat complying with Section 608.4.
2. In Type A units, a shower seat is not required to be installed where reinforcement complying with Section 1003.11.9 is installed for the future installation of a shower seat.

(Amd) **608.5 Controls.** Controls and hand showers shall comply with Sections 608.5 and 309.4.

Exception: Controls in Group I-2 long-term health care facilities that provide supervised, assisted bathing shall be permitted to be located outside of the shower compartment.

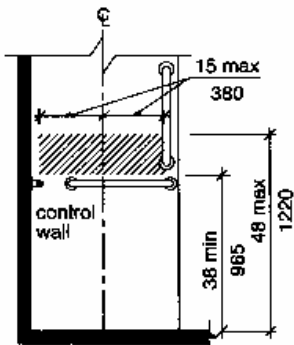
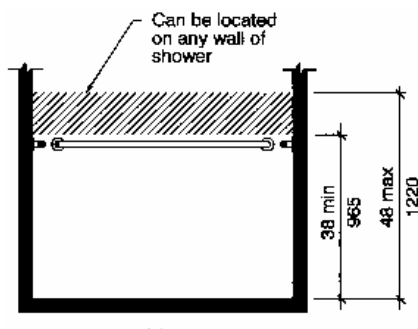
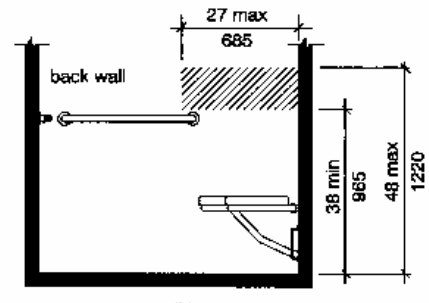


Fig. 608.5.1
Transfer-Type Shower
Controls and Handshowers Location



(a)
Without Seat



(b)
With Seat

Fig. 608.5.2
Standard Roll-in-Type Shower Control and Handshower Location

608.5.1 Transfer-Type Showers. In transfer-type showers, the controls and hand shower shall be located on the control wall opposite the seat, 38 inches (965 mm) minimum and 48 inches (1220 mm) maximum above the shower floor, within 15 inches (380 mm), left or right, of the centerline of the seat.

608.5.2 Standard Roll-in Showers. In standard roll-in showers, the controls and hand shower shall be located 38 inches (965 mm) minimum and 48 inches (1220 mm) maximum above the shower floor. In standard roll-in showers with seats, the controls and hand shower shall be located on the back wall, no more than 27 inches (685 mm) maximum from the end wall behind the seat.

608.5.3 Alternate Roll-in Showers. In alternate roll-in showers, the controls and hand shower shall be located 38 inches (965 mm) minimum and 48 inches (1220 mm) maximum above the shower floor. In alternate roll-in showers with controls and hand shower located on the end wall adjacent to the seat, the controls and hand shower shall be 27 inches (685 mm) maximum from the seat wall. In alternate roll-in showers with the controls and hand shower located on the back wall opposite the seat, the controls and hand shower shall be located within 15 inches (380 mm), left or right, of the centerline of the seat.

EXCEPTION: A fixed shower head with the controls and shower head located on the back wall opposite the seat shall be permitted.

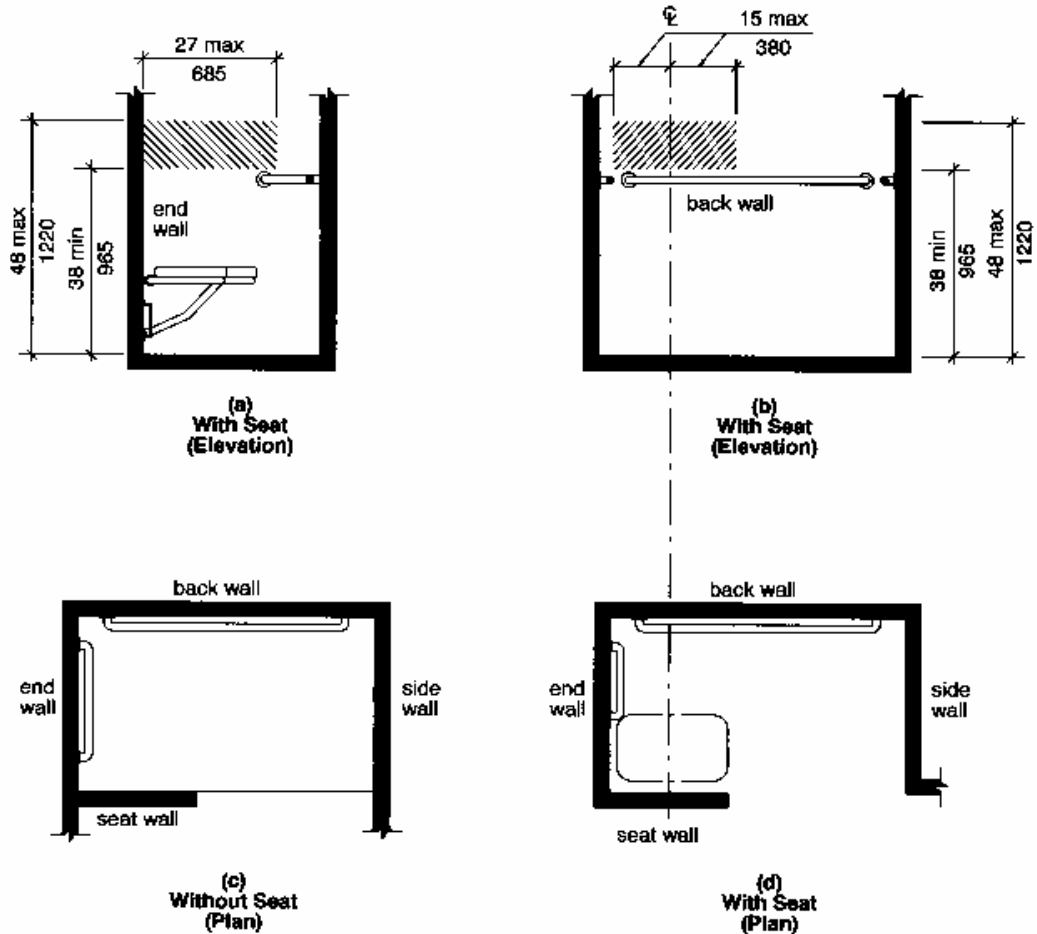


Fig. 608.5.3
Alternate Roll-in-Type Shower Control and Handshower Location

608.6 Hand Showers. A hand shower with a hose 59 inches (1500 mm) minimum in length, that can be used both as a fixed shower head and as a hand shower, shall be provided. The hand shower shall have a control with a nonpositive shut-off feature. An adjustable-height shower head mounted on a vertical bar shall be installed so as to not obstruct the use of grab bars.

EXCEPTION: A fixed shower head shall be permitted in lieu of a hand shower where the scoping provisions of the administrative authority require a fixed shower head.

608.7 Thresholds. Thresholds in roll-in-type shower compartment shall be 1/2 inch (13 mm) maximum in height in accordance with Section 303. In transfer-type shower compartments, thresholds 1/2 inch (13 mm) maximum in height shall be beveled, rounded, or vertical.

EXCEPTION: In existing facilities, in transfer-type shower compartments where provision of a threshold 1/2 inch (13 mm) in height would disturb the structural reinforcement of the floor slab, a threshold 2 inches (51 mm) maximum in height shall be permitted.

608.8 Shower Enclosures. Shower compartment enclosures for shower compartments shall not obstruct controls or obstruct transfer from wheelchairs onto shower seats.

608.9 Water Temperature. Showers shall deliver water that is 120 degrees F (49 degrees C) maximum.

(ICC/ANSI A117.1)

609 Grab Bars

609.1 General. Grab bars in accessible toilet or bathing facilities shall comply with Section 609.

609.2 Cross Section. Grab bars shall have a cross section complying with Section 609.2.1 or 609.2.2.

609.2.1 Circular Cross Section. Grab bars with a circular cross section shall have an outside diameter of 1 1/4 inch (32 mm) minimum and 2 inches (51 mm) maximum.

609.2.2 Noncircular Cross Section. Grab bars with a noncircular cross section shall have a cross section dimension of 2 inches (51 mm) maximum, and a perimeter dimension of 4 inches (102 mm) minimum and 4.8 inches (122 mm) maximum.

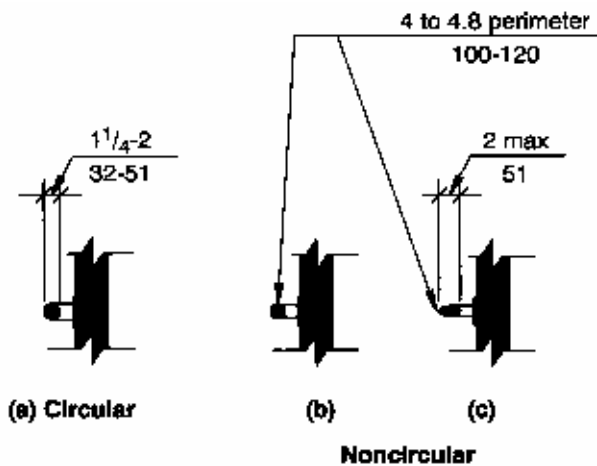


Fig. 609.2
Size of Grab Bars

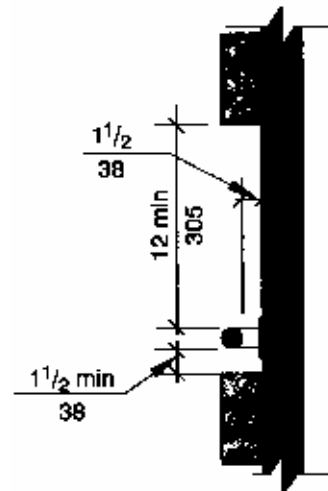


Fig. 609.3
Spacing of Grab Bars

609.3 Spacing. The space between the wall and the grab bar shall be 1 1/2 inches (38 mm). The space between the grab bar and projecting objects below and at the ends of the grab bar shall be 1 1/2 inches (38 mm) minimum. The space between the grab bar and projecting objects above the grab bar shall be 12 inches (305 mm) minimum.

EXCEPTIONS:

1. The space between the grab bars and shower controls, shower fittings, and other grab bars above the grab bar shall be permitted to be 1 1/2 inches (38 mm) minimum.
2. Swing-up grab bars shall not be required to comply with Section 609.3.

609.4 Position of Grab Bars. Grab bars shall be installed in a horizontal position, 33 inches (840 mm) minimum and 36 inches (915 mm) maximum above the floor measured to the top of the gripping surface. At water closets primarily for children’s use complying with Section 604.10, grab bars shall be installed in a horizontal position 18 inches (455 mm) minimum to 27 inches (685 mm) maximum above the floor measured to the top of the gripping surface.

EXCEPTIONS:

1. The lower grab bar on the back wall of a bathtub required by Section 607.4.1.1 or 607.4.2.1.
2. Vertical grab bars required by Sections 604.5.1, 607.4.1.2.2, 607.4.2.2.2, and 608.3.1.2.

609.5 Surface Hazards. Grab bars, and any wall or other surfaces adjacent to grab bars, shall be free of sharp or abrasive elements. Edges shall be rounded.

609.6 Fittings. Grab bars shall not rotate within their fittings.

609.7 Installation. Grab bars shall be installed in any manner that provides a gripping surface at the locations specified in this standard and does not obstruct the clear floor space.

609.8 Structural Strength. Allowable stresses shall not be exceeded for materials used where a vertical or horizontal force of 250 pounds (1112 N) is applied at any point on the grab bar, fastener mounting device, or supporting structure.

(ICC/ANSI A117.1)

610 Seats

610.1 General. Seats in accessible bathtubs and shower compartments shall comply with Section 610.

610.2 Bathtub Seats. The height of bathtub seats shall be 17 inches (430 mm) minimum to 19 inches (485 mm) maximum above the bathroom floor, measured to the top of the seat. Removable in-tub seats shall be 15 inches (380 mm) minimum and 16 inches (405 mm) maximum in depth. Removable in-tub seats shall be capable of secure placement. Permanent seats shall be 15 inches (380 mm) minimum in depth and shall extend from the back wall to or beyond the outer edge of the bathtub. Permanent seats shall be positioned at the head end of the bathtub.

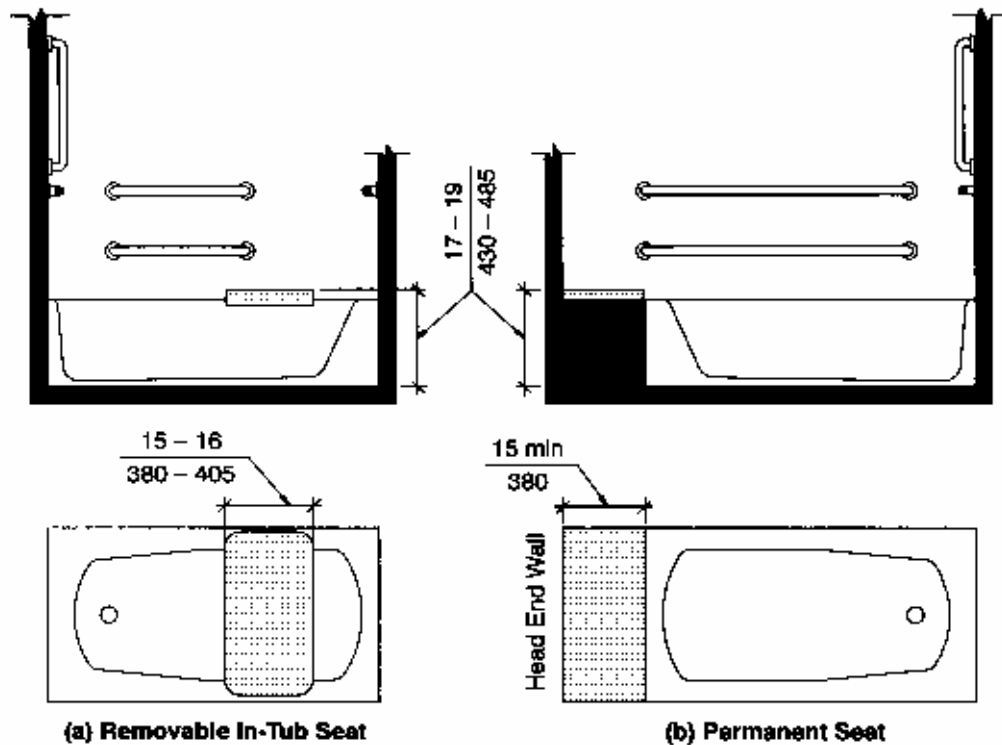


Fig. 610.2
Bathtub Seats

610.3 Shower Compartment Seats. Where a seat is provided in a standard roll-in shower compartment, it shall be a folding type and shall be on the wall adjacent to the controls. The height of the seat shall be 17 inches (430 mm) minimum and 19 inches (485 mm) maximum above the bathroom floor, measured to the top of the seat. In transfer-type and alternate roll-in-type showers, the seat shall extend along the seat wall to a point within 3 inches (75 mm) of the compartment entry. In standard roll-in-type showers, the seat shall extend from the control wall to a point within 3 inches (75 mm) of the compartment entry. Seats shall comply with Section 610.3.1 or 610.3.2.

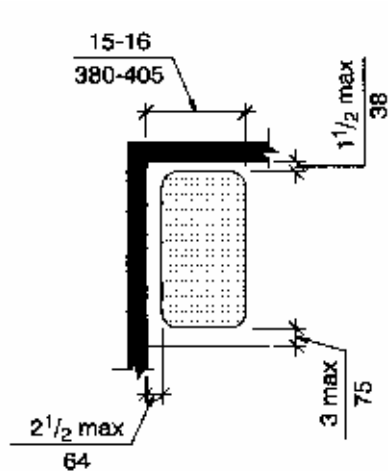


Fig. 610.3.1
Rectangular Shower Compartment Seat

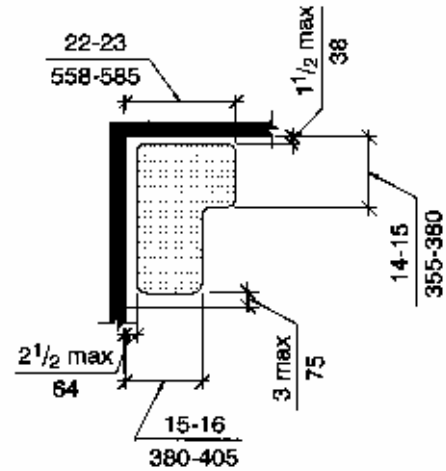


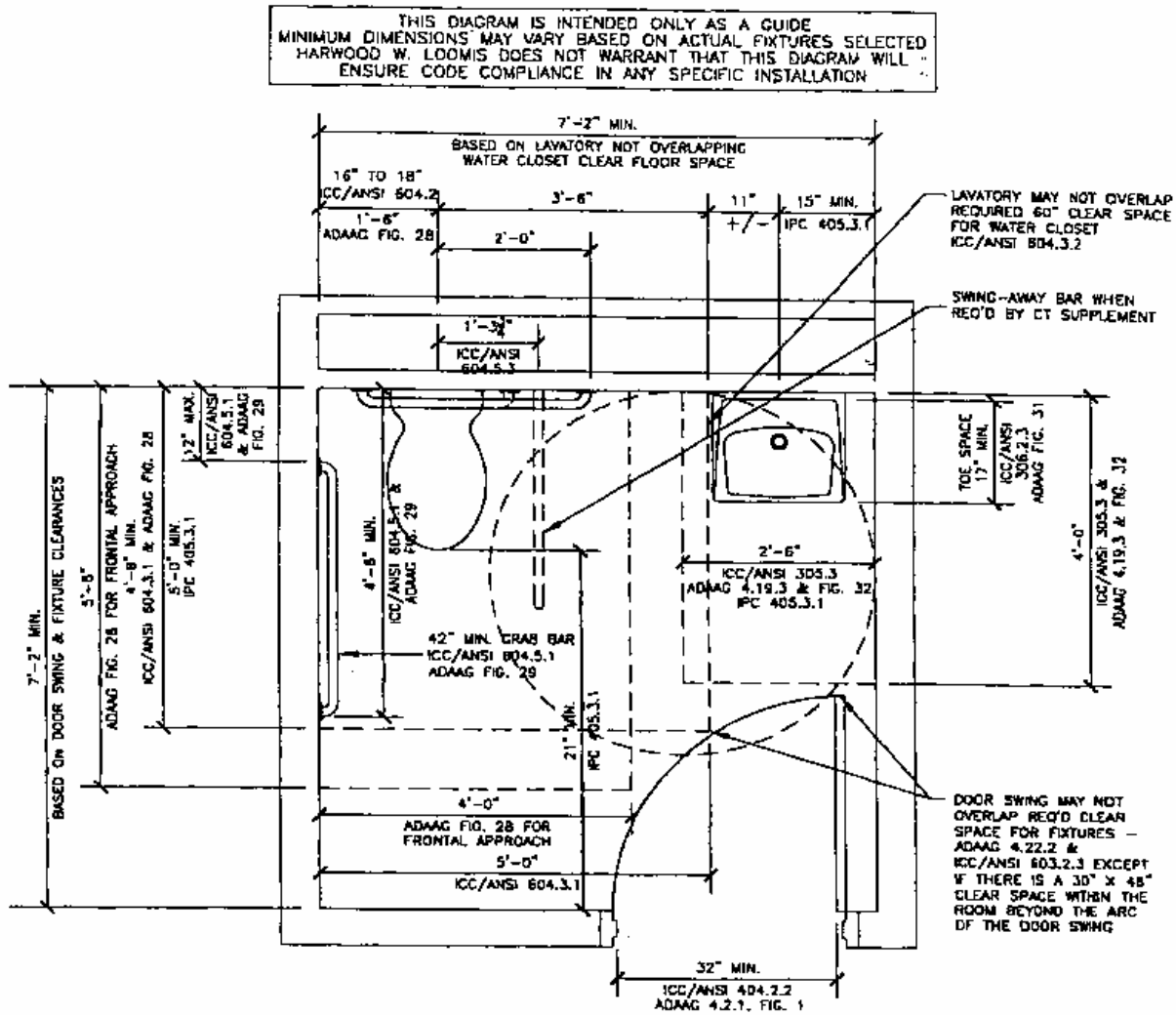
Fig. 610.3.2
L-Shaped Shower Compartment Seat

610.3.1 Rectangular Seats. The rear edge of a rectangular seat shall be 2 1/2 inches (64 mm) maximum and the front edge 15 inches (380 mm) minimum to 16 inches (405 mm) maximum from the seat wall. The side edge of the seat shall be 1 1/2 inches (38 mm) maximum from the back wall of a transfer-type shower and 1 1/2 inches (38 mm) maximum from the control wall of a roll-in-type shower.

610.3.2 L-Shaped Seats. The rear edge of an L-shaped seat shall be 2 1/2 inches (64 mm) maximum and the front edge 15 inches (380 mm) minimum to 16 inches (405 mm) maximum from the seat wall. The rear edge of the “L” portion of the seat shall be 1 1/2 inches (38 mm) maximum from the wall and the front edge shall be 14 inches (355 mm) minimum and 15 inches (380 mm) maximum from the wall. The end of the “L” shall be 22 inches (560 mm) minimum and 23 inches (585 mm) maximum from the main seat wall.

610.4 Structural Strength. Allowable stresses shall not be exceeded for materials used where a vertical or horizontal force of 250 pounds (1112 N) is applied at any point on the seat, fastener mounting device, or supporting structure.

Illustration:

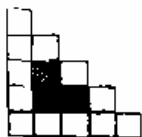


TYPICAL DIMENSIONS - ACCESSIBLE TOILET ROOM NOT TO SCALE

ICC/ANSI A117.1-2003 - 603.2.3 - DOORS SHALL NOT SWING INTO THE CLEAR FLOOR OR GROUND SPACE OR CLEARANCE FOR ANY FIXTURE.
 EXCEPTION: WHERE THE ROOM IS FOR INDIVIDUAL USE AND A CLEAR FLOOR SPACE AND A CLEAR FLOOR SPACE COMPLYING WITH SECTION 305.3 (30' X 48') IS PROVIDED WITHIN THE ROOM BEYOND THE ARC OF THE DOOR SWING.

AMERICANS WITH DISABILITIES ACT ACCESSIBILITY GUIDELINES (ADAAG) - 4.22.2 - DOORS SHALL NOT SWING INTO THE CLEAR FLOOR SPACE REQUIRED FOR ANY FIXTURE.

THE RESULT IS THAT THE BUILDING CODE ALLOWS THE DOOR TO SWING OVER THE REQUIRED FIXTURE CLEAR FLOOR SPACES IF THERE IS A 30' X 48' CLEAR SPACE BEYOND THE ARC OF THE DOOR SWING, BUT THE ADAAG DOES NOT ALLOW THIS.

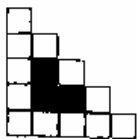
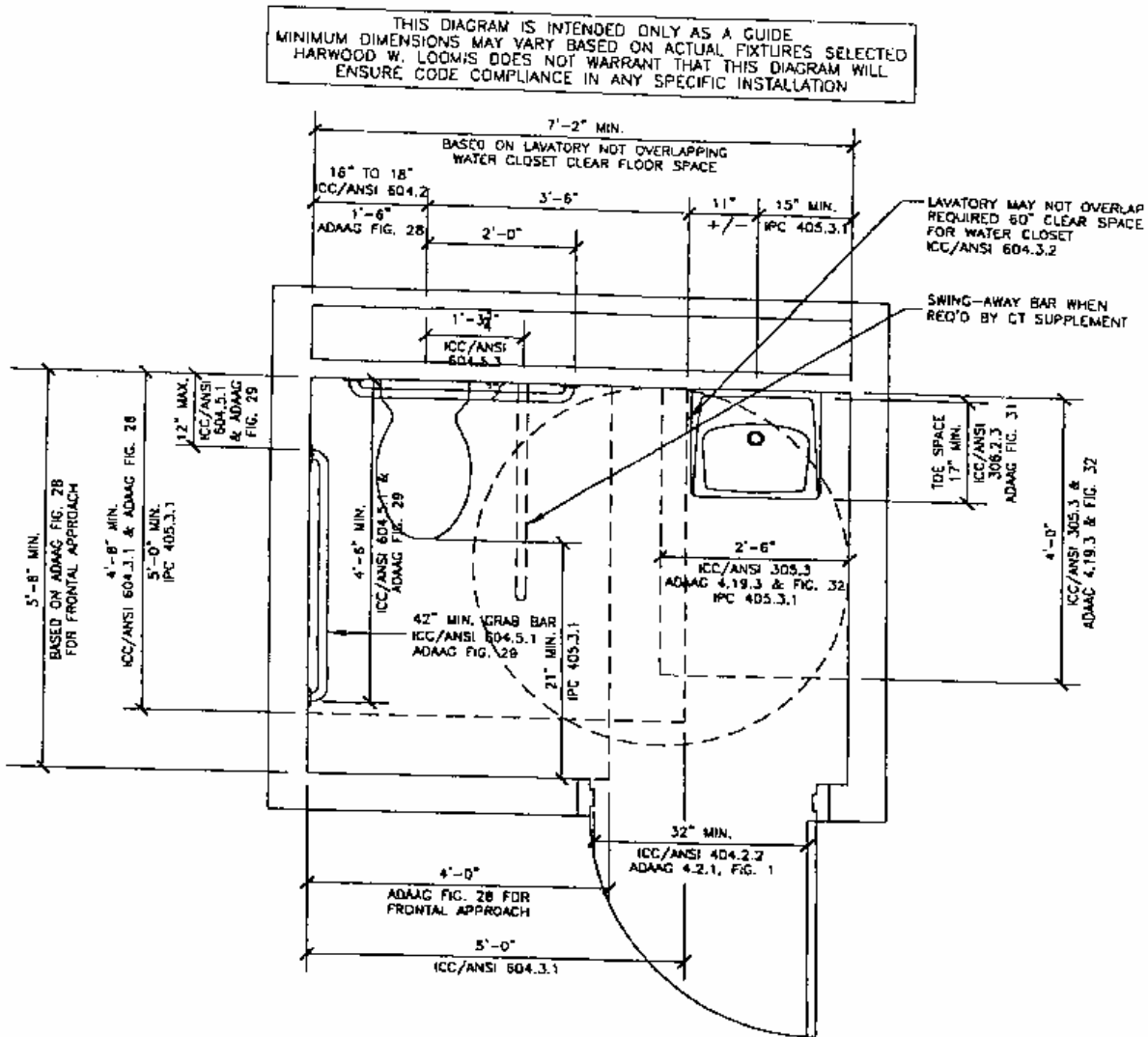


HARWOOD
 WALLACE
 LOOMIS
 CONSULTING
 ARCHITECT

**ACCESSIBLE TOILET ROOM
 INSWINGING DOOR**

COPYRIGHT 2006 - ALL RIGHTS RESERVED

Illustration:

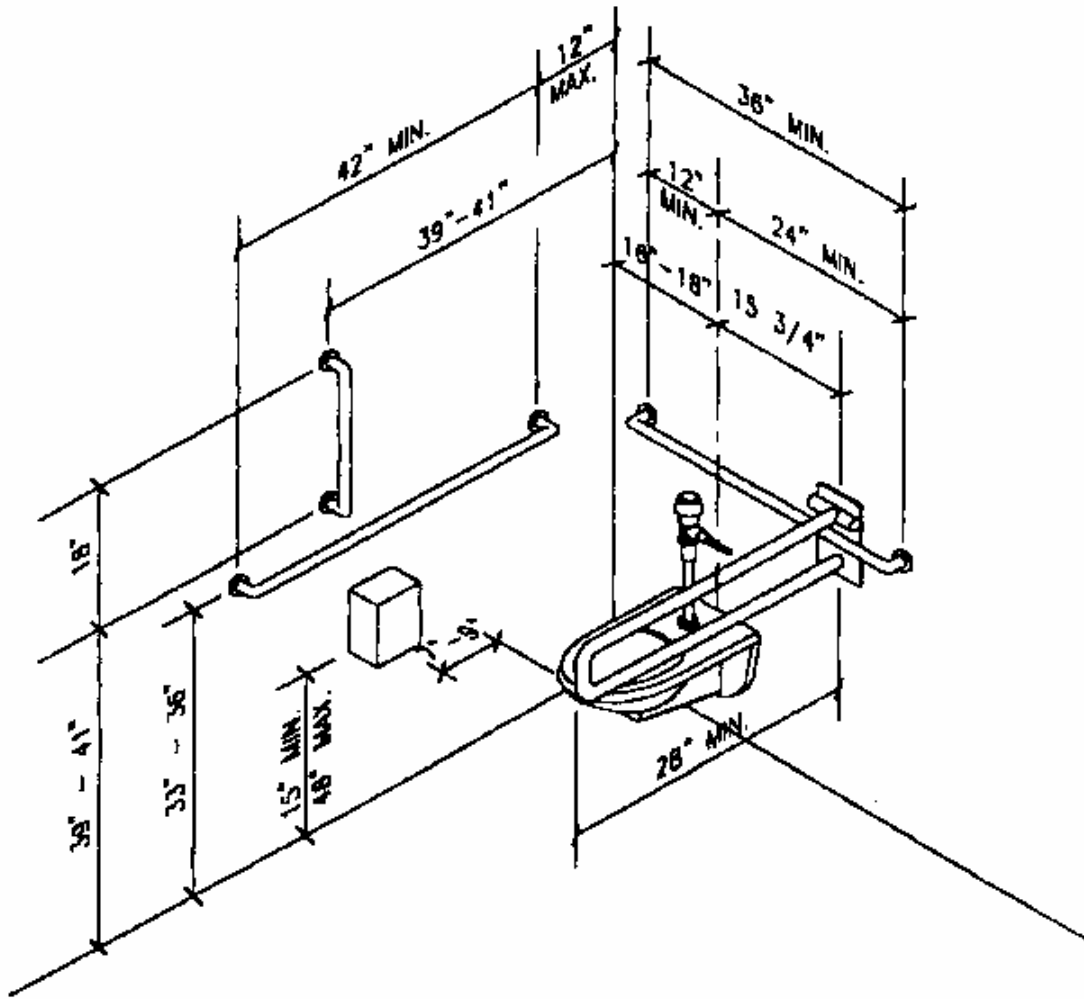


HARWOOD
 WALLACE
 LOOMIS
 CONSULTING
 ARCHITECT

ACCESSIBLE TOILET ROOM OUTSWINGING DOOR

COPYRIGHT 2006 – ALL RIGHTS RESERVED

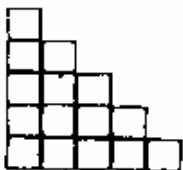
Illustration:



604.6: FLUSH CONTROLS SHALL BE LOCATED ON THE OPEN SIDE OF THE WATER CLOSET

604.7: TOILET PAPER DISPENSERS SHALL NOT BE OF A TYPE THAT CONTROLS DELIVERY, OR DOES NOT ALLOW CONTINUOUS PAPER FLOW.

FIXED SIDEWALL GRAB BAR AND SWING-AWAY GRAB BAR SHALL BE MOUNTED AT THE SAME HEIGHT. THE HEIGHT OF THE REAR WALL GRAB BAR MAY BE ADJUSTED TO COORDINATE WITH THE SWING-AWAY GRAB BAR.



HARWOOD
WALLACE
LOOMIS
CONSULTING
ARCHITECT

TOILET ROOM GRAB BARS

COPYRIGHT 2006 - ALL RIGHTS RESERVED

STATE OF CONNECTICUT
DEPARTMENT OF PUBLIC SAFETY
OFFICE OF THE STATE BUILDING INSPECTOR
1111 COUNTRY CLUB ROAD
MIDDLETOWN, CT 06457
TELEPHONE: (860) 685-8310
FAX: (860) 685-8365

FILE # _____

FOR OFFICE USE ONLY

DATE _____

REQUEST FOR ACCESSIBILITY EXEMPTION OF THE STATE BUILDING CODE

(Per C.G.S. Section 29-269 (b))

PLEASE TYPE OR PRINT CLEARLY. COMPLETE APPLICATION IN ITS ENTIRETY. ANY MISSING INFORMATION MAY RESULT IN DELAYS. RETURN COMPLETED APPLICATION TO THE ABOVE ADDRESS.

1. Name of Building: _____
Street Address: _____
Town: _____ State: CT Zip Code: _____
2. Building Owner: _____
3. Applicant's Name: _____ Telephone: _____
Note: If applicant is different than the owner, include owner's appointment in writing authorizing you as the agent.
Name of Person to Contact: _____ Telephone: _____
Applicant's Street Address: _____
Town: _____ State: _____ Zip Code: _____
4. Date of Approval of Current Building Permit: _____
5. Use Group (according to Section 302 of State Building Code): _____
A. Was there a change of use: Yes No
B. If yes from _____ to _____
6. Type of Construction: _____
7. Square Foot Area of Building (Total): _____
Square Foot Area of Addition or Alteration: _____
8. Number of Stories: _____

