



**CITY OF NORTH MANKATO**

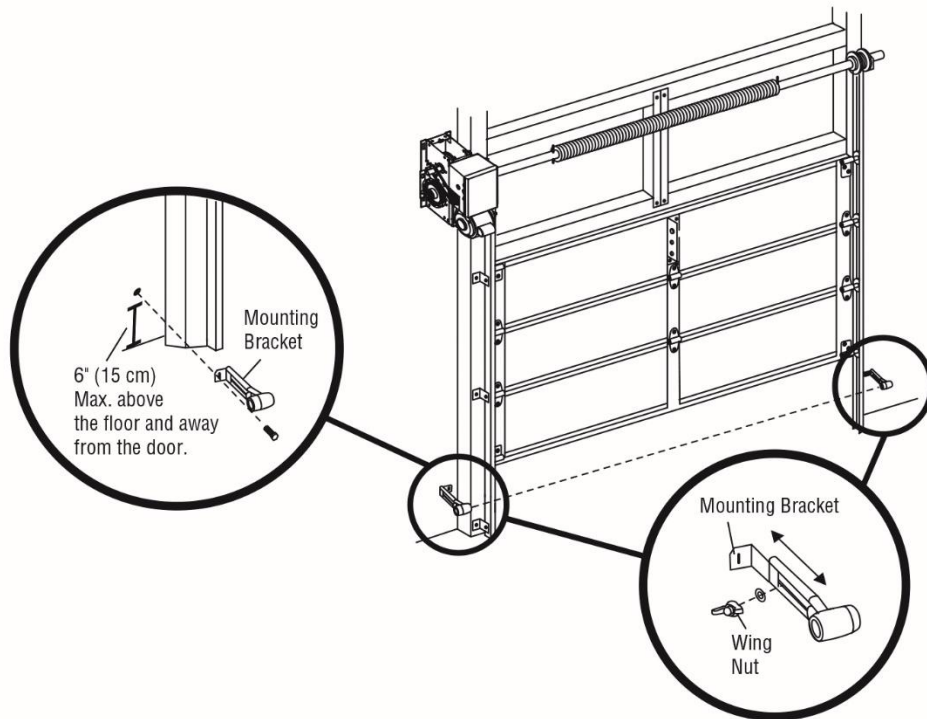
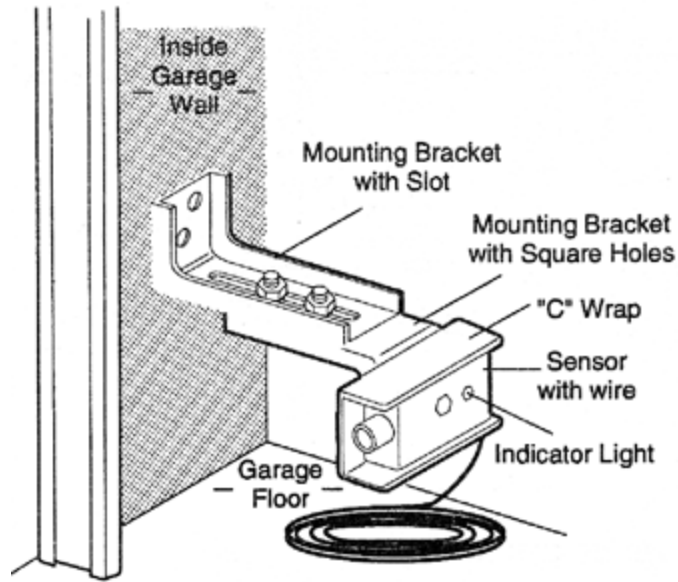
**Overhead Garage Door Replacement**

- ❖ **Building permits are required for the replacement of any overhead garage door. Additional permits are required if any electrical work is being performed.**
- ❖ **If an overhead garage door company is hired to install the door, have them take out the required permit.**
- **Wind Rating:** Overhead garage door(s) must meet minimum wind resistance standards complying with ANSI/DASMA 108 (designed for 90 mph wind).
- **Wind Pressure Labels:** A label shall be affixed to the overhead garage door(s) indicating the pressures acting toward and away from the overhead garage door(s) surface. (refer to sample label below)
- **Automatic Openers:** State law requires all automatic overhead garage door openers sold and installed be equipped with an automatic reversing device. This means that the door must have a means to reverse the closing function if something is detected. The first line of defense is the opener motor, which senses resistance and reverses direction if a certain level of resistance is achieved. If an excessive amount of pressure is required to cause the door opener to reverse, the reversing mechanism is considered “inoperative” and shall be adjusted. The second line of defense is a set of infrared sensors which should be mounted per manufacturer’s installation instruction, typically 4” to 6” above the floor on each side of the garage door frame. If any object blocks the path of the infrared sensors, the garage door opener will not activate or will reverse if operating. (refer to diagrams below)
- **Springs:** Safety cables shall be installed on all overhead garage doors that are equipped with extension springs. (refer to diagram below)

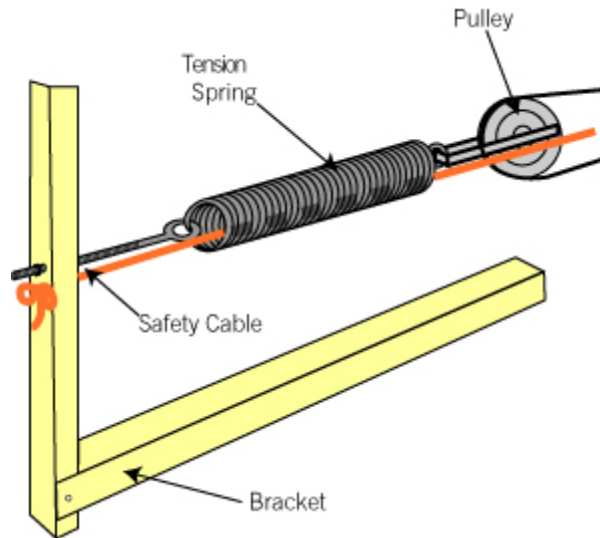
**SAMPLE WIND PRESSURE LABEL**

Rating	Design Pressures		3 Second Gust		
	(+ ) PSF Range	(- ) PSF Range	Exposure B < 30' MRH	Exposure C	
				15' MRH	25' MRH
WP1	7.8/10.0	8.8/11.3	70 MPH		
WP2	10.1/12.7	11.4/13.8	80 MPH		
WP3	12.8/15.7	13.9/17.8	90 MPH	-	-
WP4	15.8/19.0	17.9/21.5	100 MPH	-	-
WP5	19.1/22.7	21.6/24.2	110 MPH	-	-
WP6	22.8/26.6	24.3/29.4	120 MPH	-	-
WP7	26.7/30.9	29.5/34.7	130 MPH	-	-
WP8	31.0/35.5	34.6/40.1	140 MPH	-	-
WP9	35.6/40.4	40.2/45.7	150 MPH	136 MPH	130 MPH
WP10	40.5/44.9	45.8/51.6	160 MPH	146 MPH	138 MPH
WP11	45.0/51.2	51.7/57.8	170 MPH	155 MPH	147 MPH
WP12	51.3/57.1	57.8/64.6	180 MPH	164 MPH	156 MPH

### SENSOR LOCATION



## OVERHEAD GARAGE DOOR EXTENSION SPRING SAFETY CABLE



### INSPECTIONS

- It is the responsibility of the permit applicant to call the Building Department to schedule a final inspection, after the completion of the above requirements. 24-hour advance notice is required.