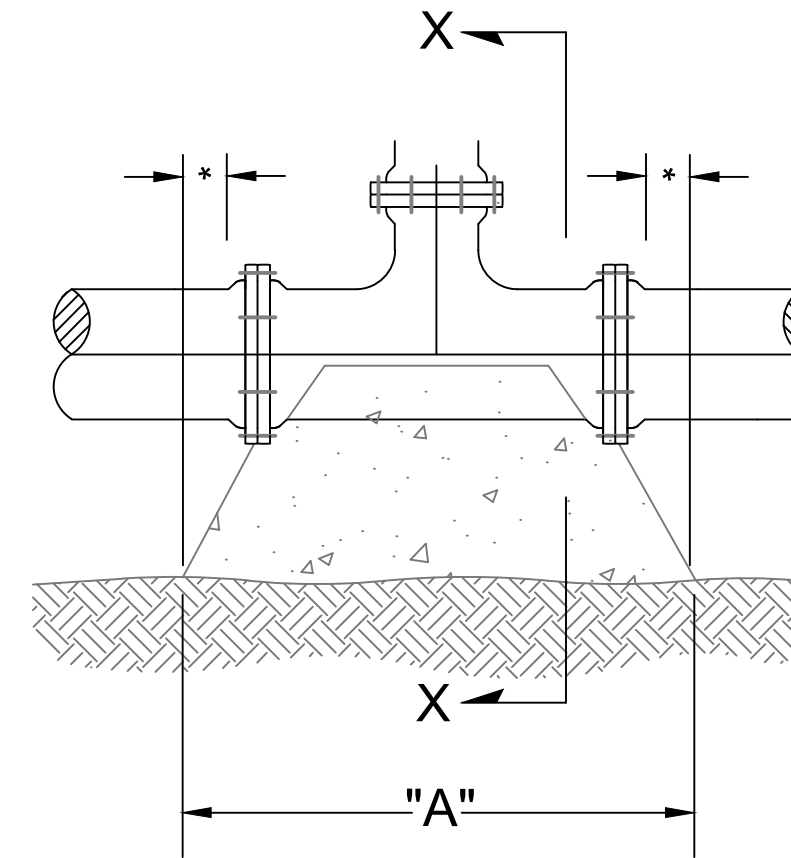
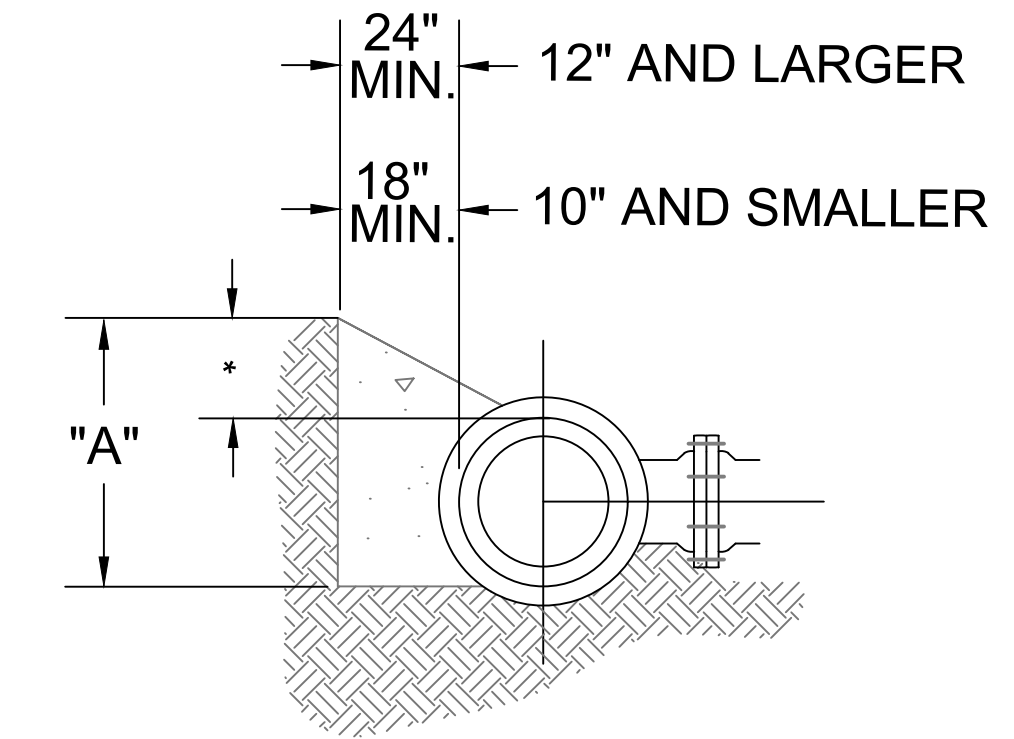


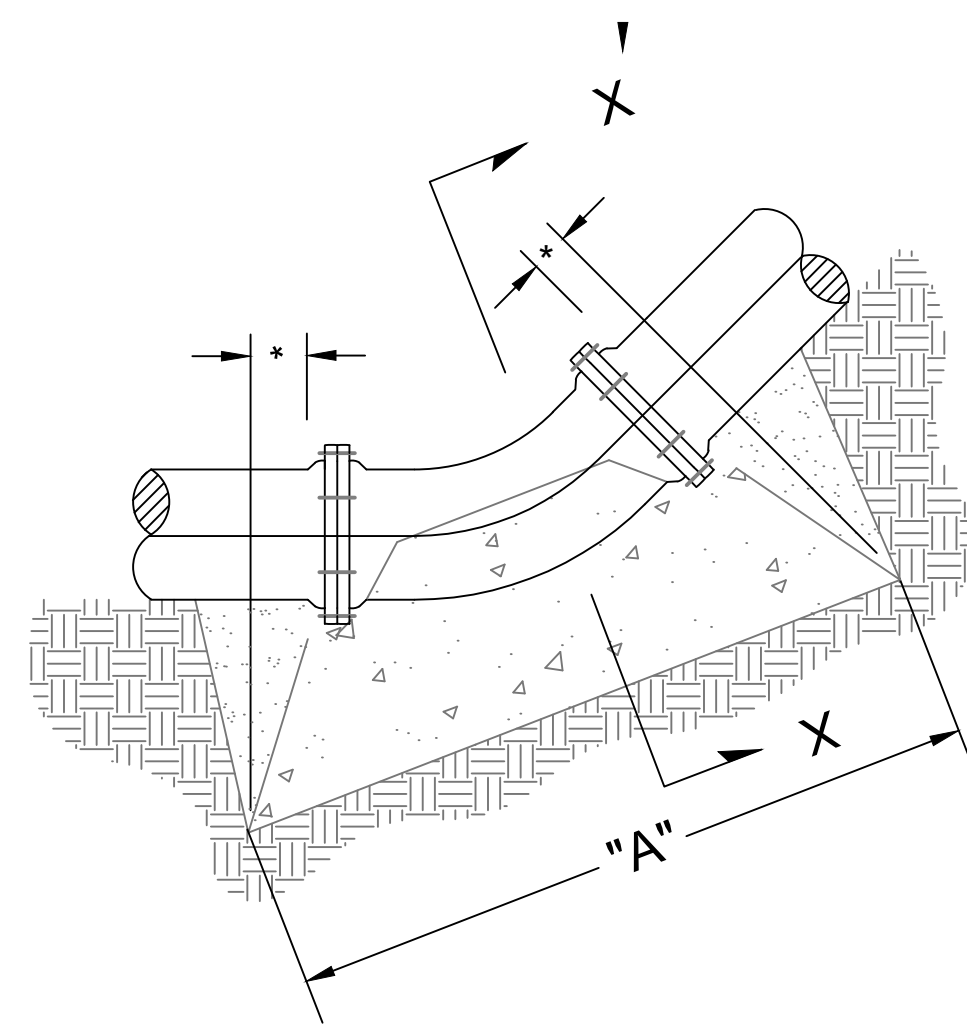
PLUG



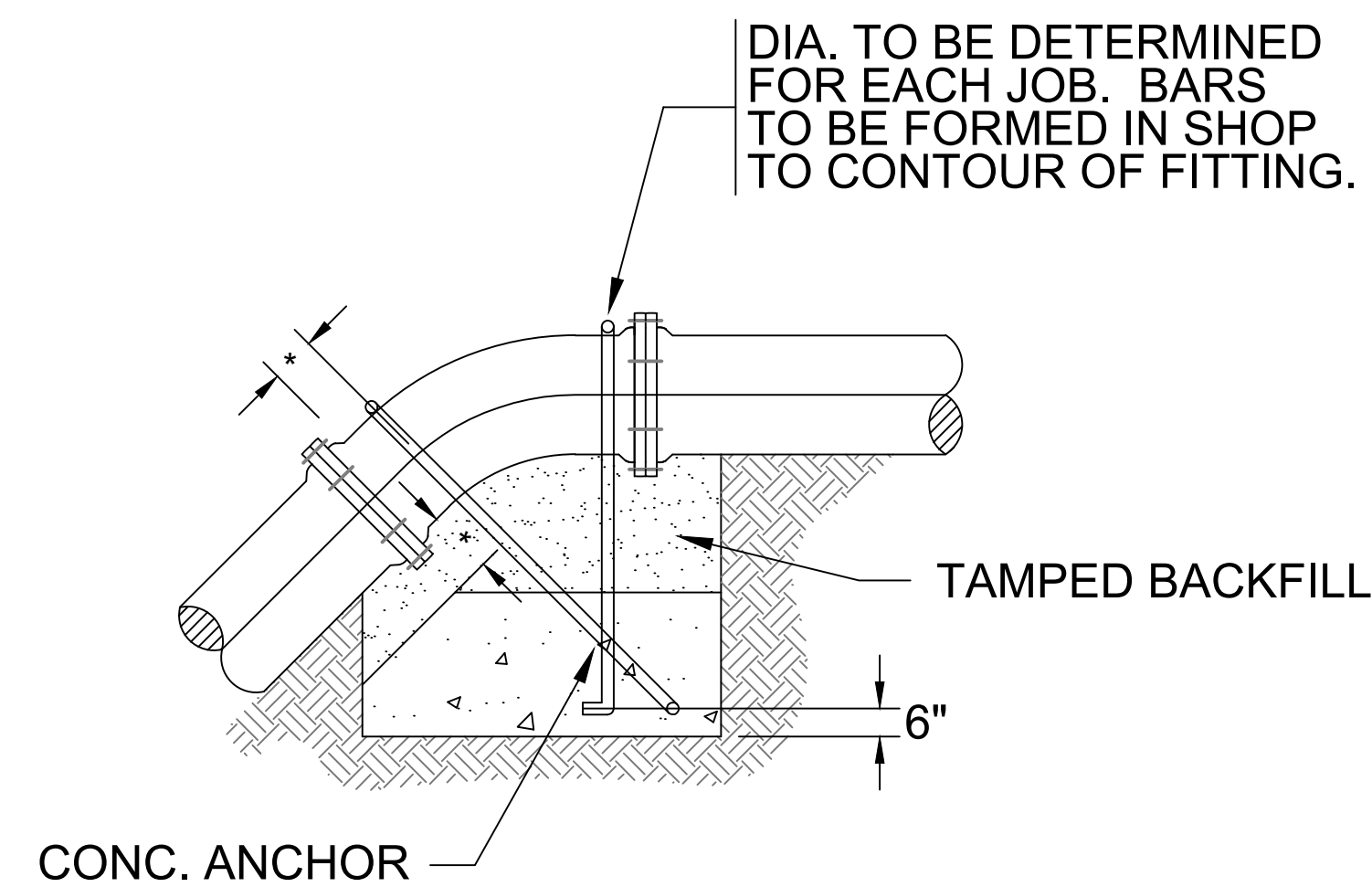
PLAN VIEW OF TEE



SECTION VIEW X-X



**HORIZONTAL BEND
VERTICAL BEND
(UPWARD)**



**VERTICAL BEND
(DOWNWARD)**

MINIMUM VOLUME OF
CONCRETE (IN C.F.) FOR TOP
VERTICAL (DOWN) BENDS

6"	4
8"	11
10"	22
12"	37
16"	71
30"	92

NOTE: IN AREAS OVER 100 PSI AWSB WILL
RECOMMEND THRUST BLOCK SIZING

"A" (IN INCHES) FOR HORIZONTAL
AND VERTICAL (UP) BENDS

	90°	45°	22-1/2°	11-1/4°	TEE	PLUG
6	21	15	11	8	17	17
8	23	17	12	11	19	19
10	28	21	15	13	24	24
12	41	30	22	15	34	34
16	54	40	29	20	46	46
24	81	60	43	30	68	68
30	101	74	53	38	85	85
36	121	89	64	45	102	102

NOTE: FOR NON-STANDARD BEND ANGELS, USE
VALVES GIVEN FOR NEXT GREATER ANGLE.

* 6" MINIMUM

DO NOT SCALE - USE DIMENSIONS ONLY

CITY OF AKRON
DEPARTMENT OF PUBLIC SERVICE
WATER SUPPLY BUREAU

TYPICAL CONCRETE THRUST BLOCKING

REV. DECEMBER 13, 2023

RAJL
UTILITIES ENGINEER

STANDARD CONSTRUCTION
DRAWING NO.

W-8.0