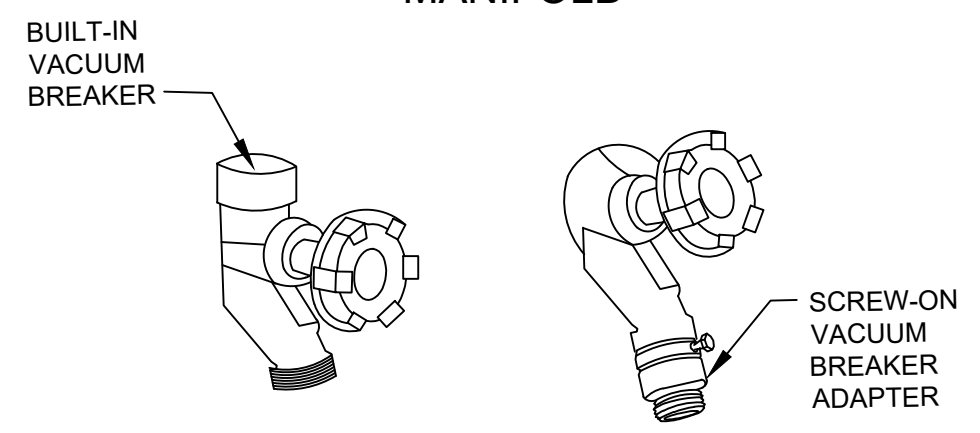


HOSE CONNECTION MANIFOLD



HOSE BIBB DETAILS

NOTE: MANIFOLD METER SETTINGS PERMITTED ON MINIMUM 1" COPPER SERVICE AND HOUSELINE.

1" TYPE "L" OR "K" COPPER WITH LEAD FREE SOLDER, PROPRESS FITTINGS, FLARE FITTINGS, OR SCREW FITTINGS, WITH BRASS NIPPLES BEFORE OR AFTER MAIN SHUT-OFF

HOSE CONNECTION VACUUM BREAKERS REQUIRED ON ALL OUTSIDE HOSE BIBBS FOR WATER ONLY HOSE CONNECTION METERS; INTERIOR HOSE BIBBS PROHIBITED.

PIPING DOWNSTREAM OF METER SHALL BE SECURED TO WALL OR JOIST.

PIPE SIZE REDUCTION PERMITTED AFTER METER.

DISTANCE BETWEEN FEMALE NPT BUSHING
 5/8" METER - 11 3/4" SPACE
 3/4" METER - 13 1/4" SPACE
 1" METER - 15" SPACE

FEMALE NPT BUSHING DIAMETERS
 5/8" METER: 1/2"
 3/4" METER: 3/4"
 1" METER: 1"

MINIMUM AREA REQUIRED FOR METER SETTING:
 4' W X 6' L X 6' H

MAXIMUM FLOW RATE:
 5/8" METER - 25 GPM
 3/4" METER - 35 GPM
 1" METER - 55 GPM

DO NOT SCALE - USE DIMENSIONS ONLY

CITY OF AKRON
 DEPARTMENT OF PUBLIC SERVICE
 WATER SUPPLY BUREAU

HOSE CONNECTION MANIFOLD
 5/8", 3/4", AND 1" ELECTROMAGNETIC METERS

REV. DECEMBER 13, 2023