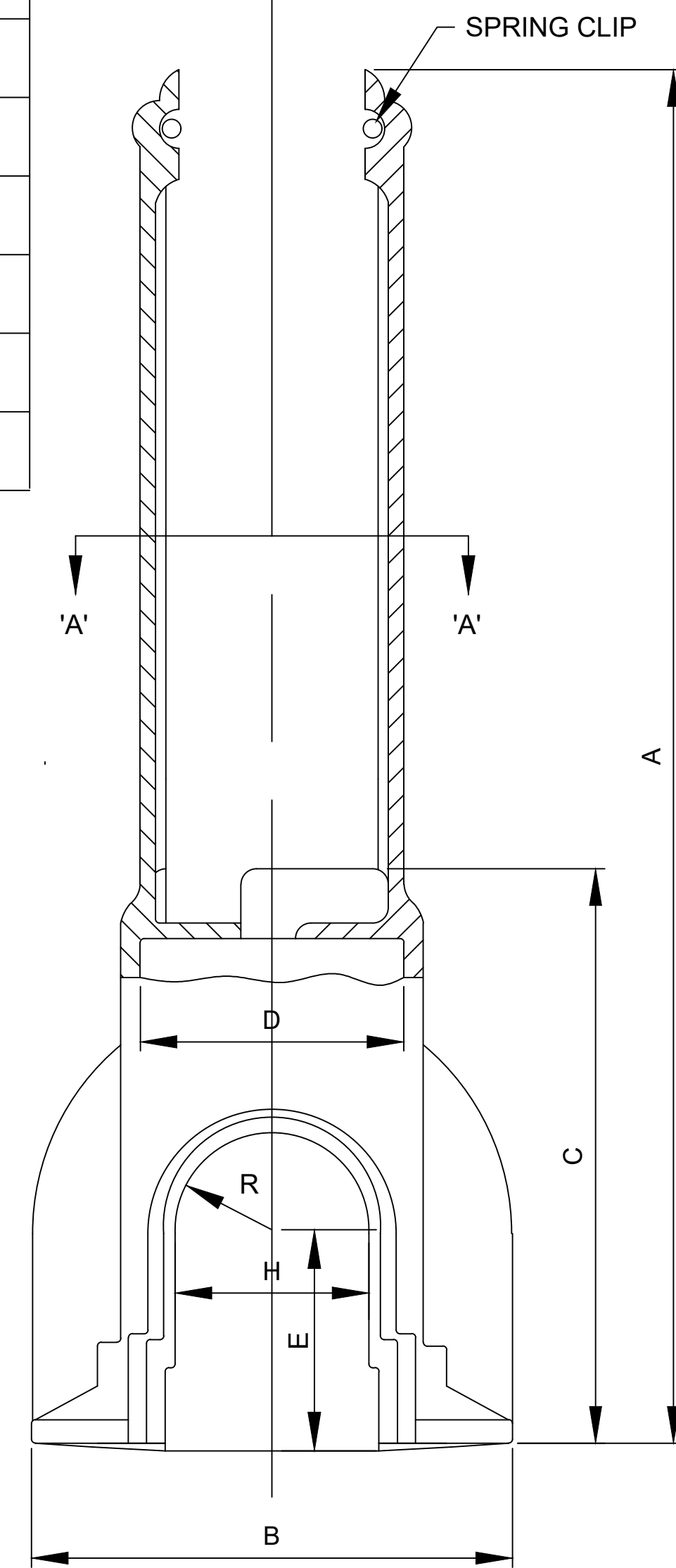
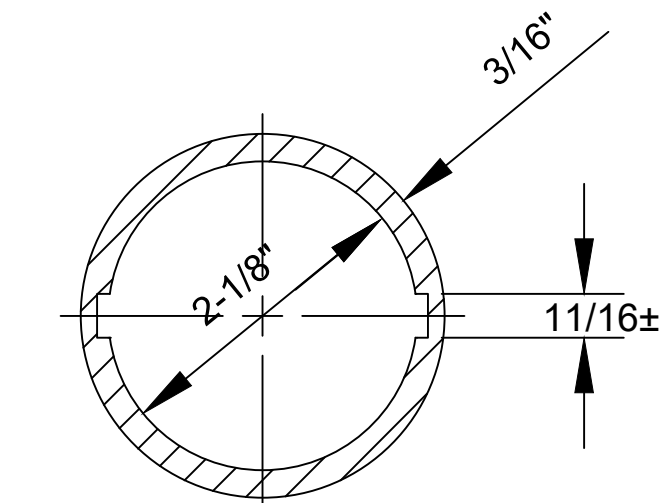


**CURB BOX DIMENSIONS  
BOTTOM SECTION TO  
FIT CURB STOP SIZES:**

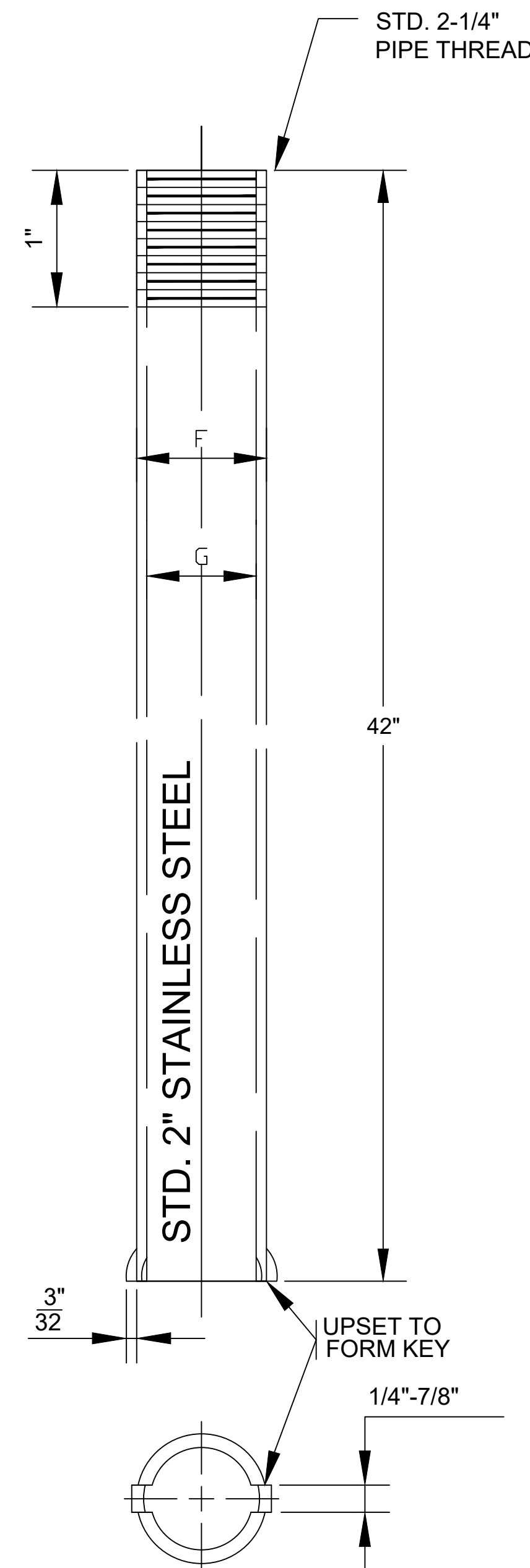
	1/2" - 1"	1 1/4" - 2"
<b>A</b>	1'-6"	1'-6 3/4"
<b>B</b>	6"	7"
<b>C</b>	6 11/16"	8 19/32"
<b>D</b>	3 3/8"	4 1/8"
<b>E</b>	2 15/16"	3 17/32"
<b>F</b>	2 3/8"	2 3/8"
<b>G</b>	2"	2"
<b>H</b>	2 1/2"	3 7/16"
<b>R</b>	1 1/4"	1 23/32"



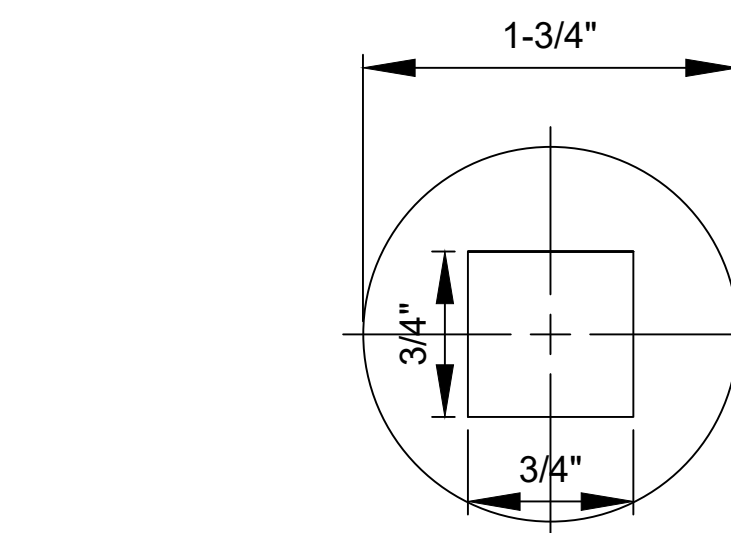
**BOTTOM SECTION**



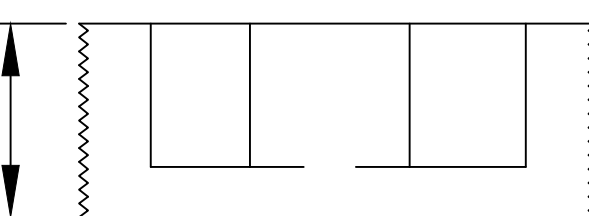
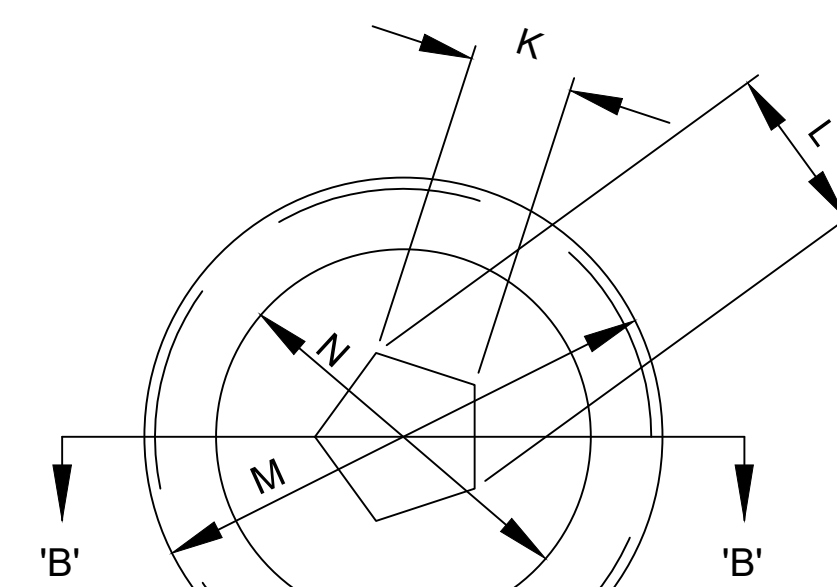
**SECTION A-A**



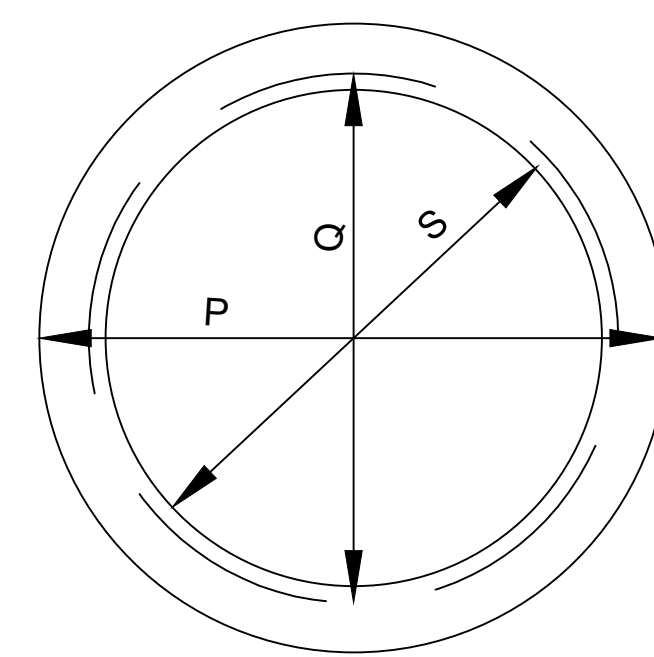
**EXTENSION**



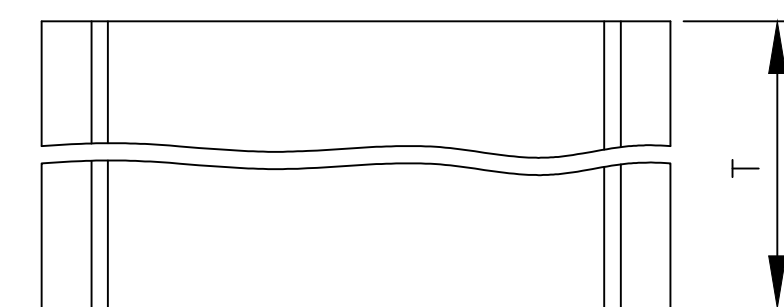
**PLUG**



**SECTION B-B**



**BRASS RING**



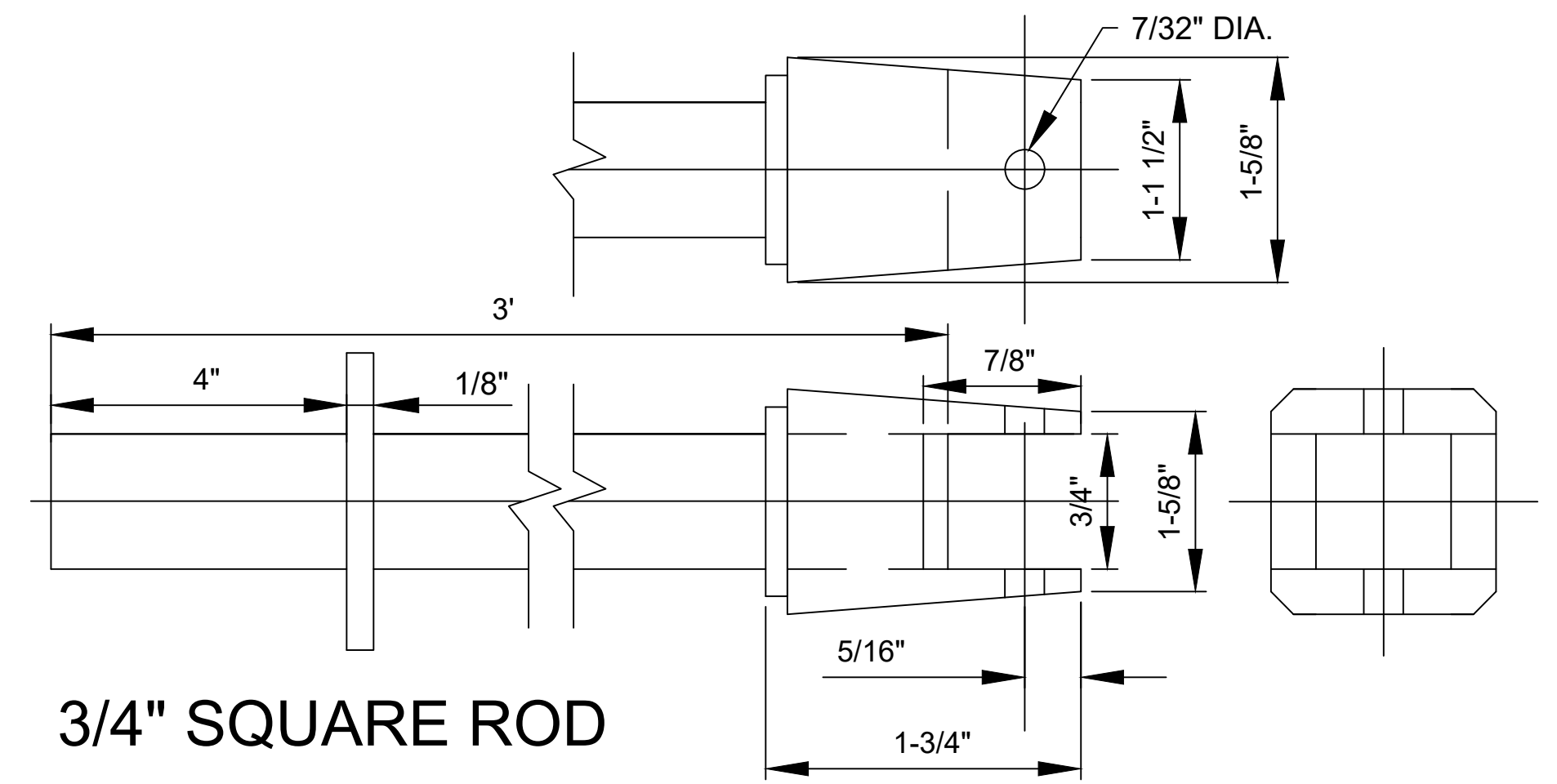
ROD TO BE SUPPLIED WITH  
3/16" DIA. BRASS COTTER PIN

STD. 2-1/4"  
PIPE THREAD

STD. 2" STAINLESS STEEL

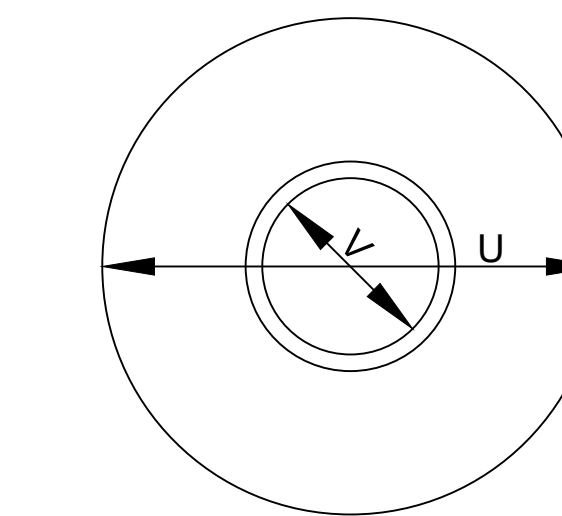
UPSET TO  
FORM KEY

SPRING CLIP

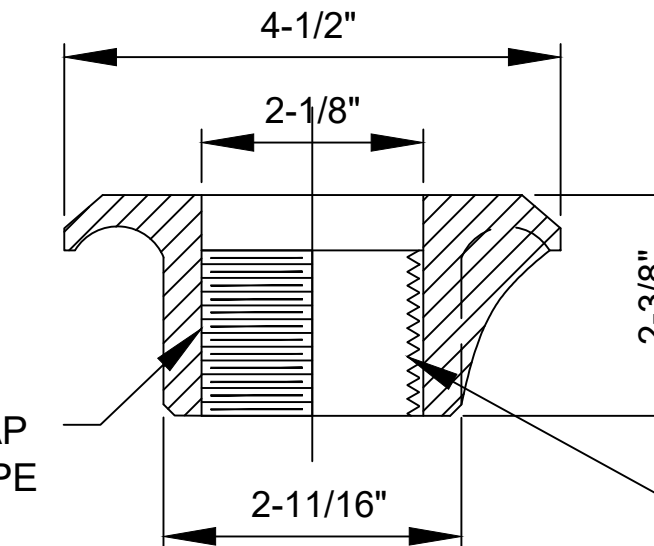


**3/4" SQUARE ROD**

COLD DRAWN STEEL  
APPROX. WT. 7 LBS.

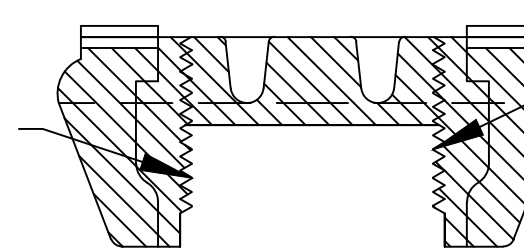


**CURB BOX LID**



**SECTION  
1-1/2" CURB BOX LID**

STRAIGHT TAP  
FOR 1-1/2" PIPE  
THREAD (NO  
TAPER) RIGHT  
HAND



**SECTION  
2" CURB BOX LID**

STRAIGHT TAP  
FOR 1-1/4" PIPE  
THREAD (NO  
TAPER) RIGHT  
HAND

BRASS RING  
INSERT

NOTE: ALL BOX LIDS FURNISHED SEPERATELY SHALL BE  
DELIVERED WITH INSIDE THREADS PROTECTED

CURB BOXES SHALL BE INSTALLED IN LAWNSTRIP. AVOID  
INSTALLING IN PAVED OR CONCRETE AREAS. SEE DWG  
S-2.0.

**CURB BOX DIMENSIONS**

	2"	1- 1/2"
<b>K</b>	1/2"	1/2"
<b>L</b>	3/4"	3/4"
<b>M</b>	2 1/4"	1 3/4"
<b>N</b>	1 3/4"	1 1/2"
<b>O</b>	7/8"	5/8"
<b>P</b>	2 3/4"	2 1/4"
<b>Q</b>	2 5/16"	1 5/8"
<b>S</b>	2 1/4"	1 3/4"
<b>T</b>	1 3/4"	1 3/4"
<b>U</b>	5"	4 5/8"
<b>V</b>	2 1/4"	1 3/4"

DO NOT SCALE - USE DIMENSIONS ONLY

CITY OF AKRON  
DEPARTMENT OF PUBLIC SERVICE  
WATER SUPPLY BUREAU

**STANDARD CURB BOX**

REV. DECEMBER 13, 2023

*RAJL*  
UTILITIES ENGINEER

STANDARD CONSTRUCTION  
DRAWING NO.

**S-3.0**