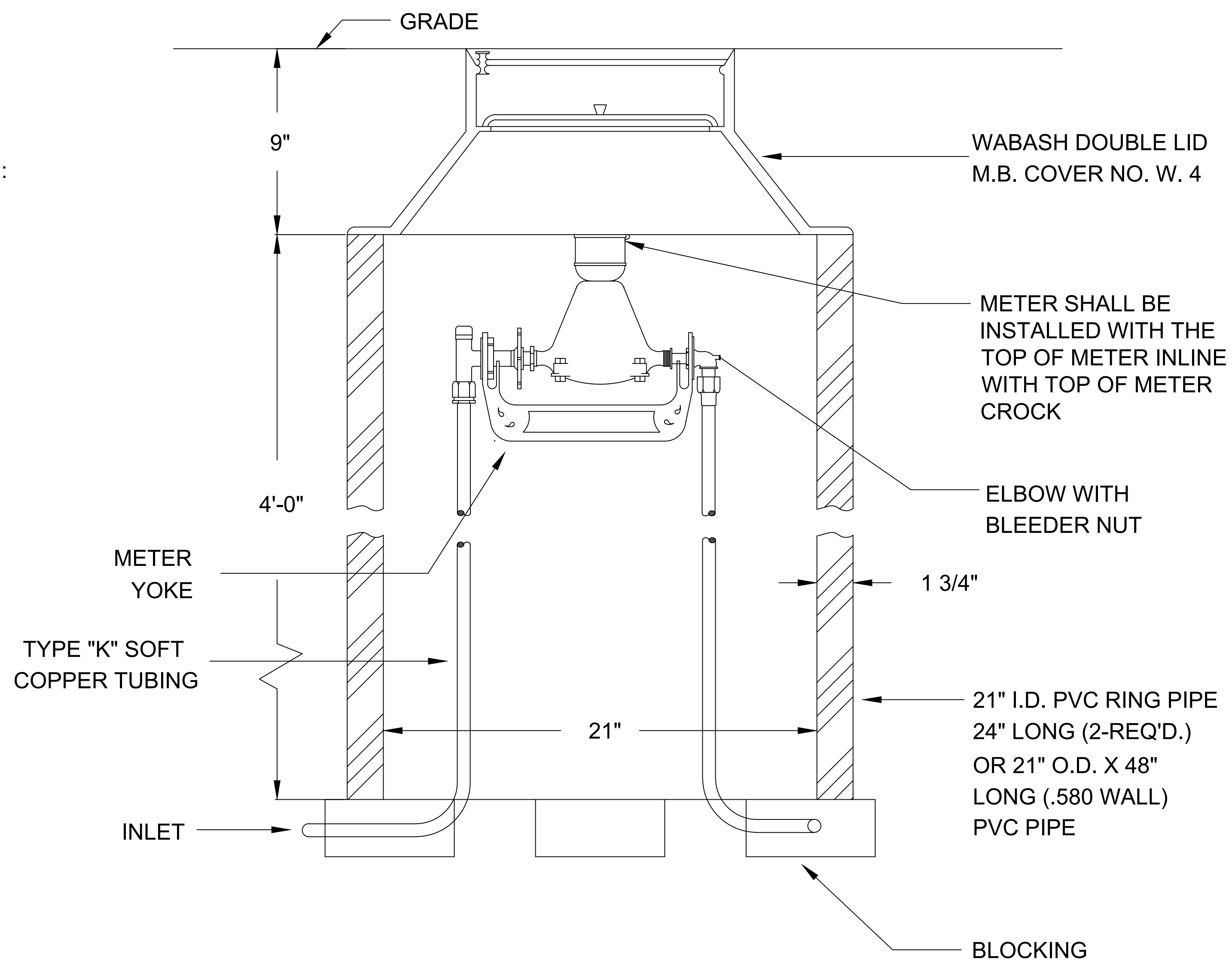


MAXIMUM FLOW RATE:
 5/8" METER - 25 GPM
 3/4" METER - 35 GPM
 1" METER - 55 GPM



DO NOT SCALE - USE DIMENSIONS ONLY

CITY OF AKRON
 DEPARTMENT OF PUBLIC SERVICE
 WATER SUPPLY BUREAU

STANDARD FOR 1" CURB METER PIT

REV. DECEMBER 13, 2023

RAJL
 UTILITIES ENGINEER

STANDARD CONSTRUCTION
 DRAWING NO.

M-7.0