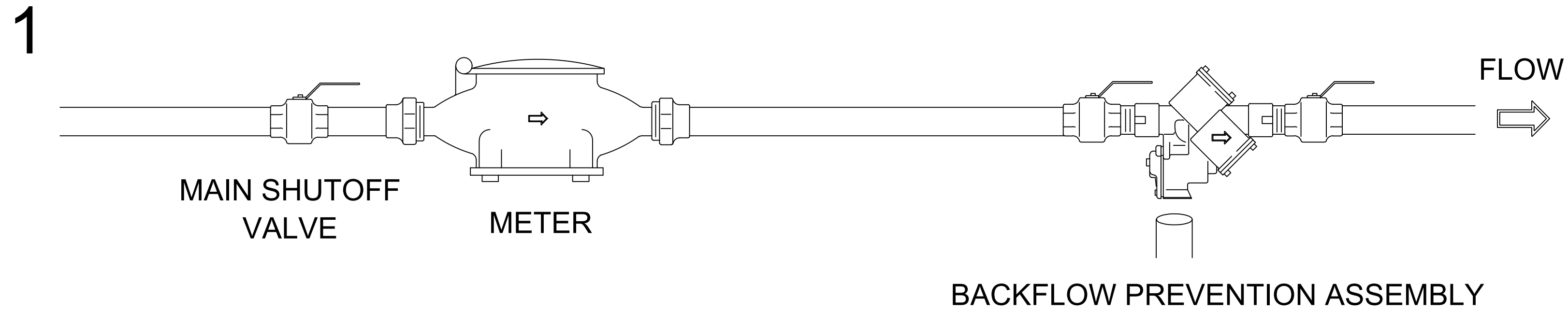
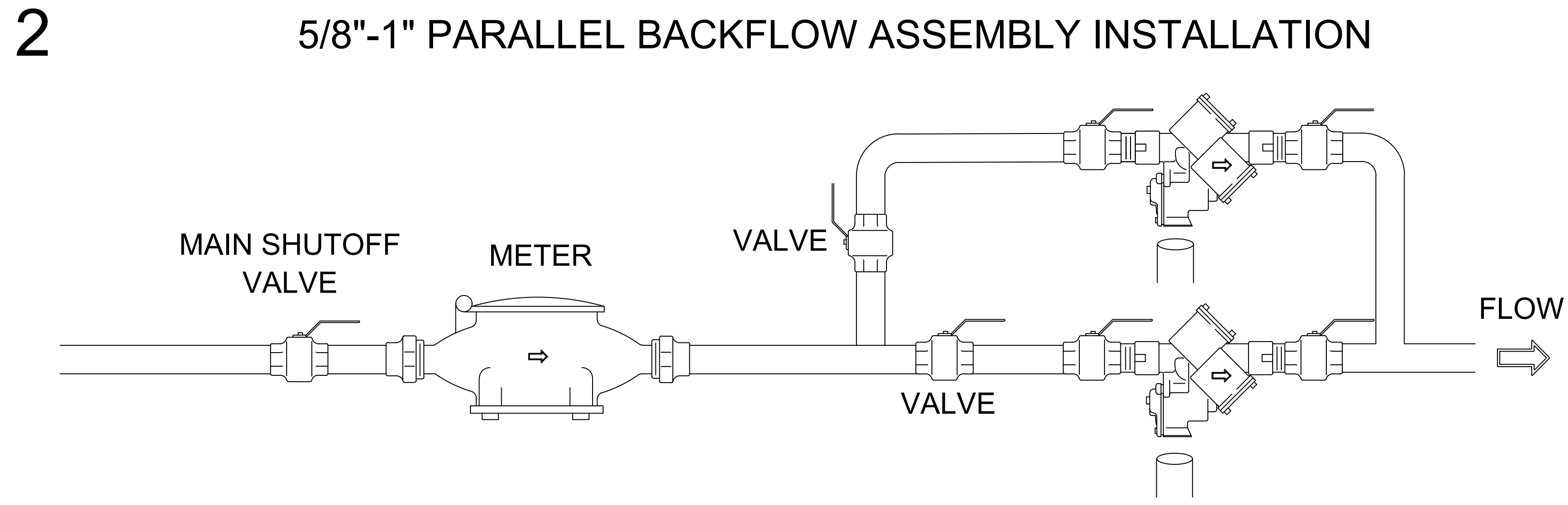


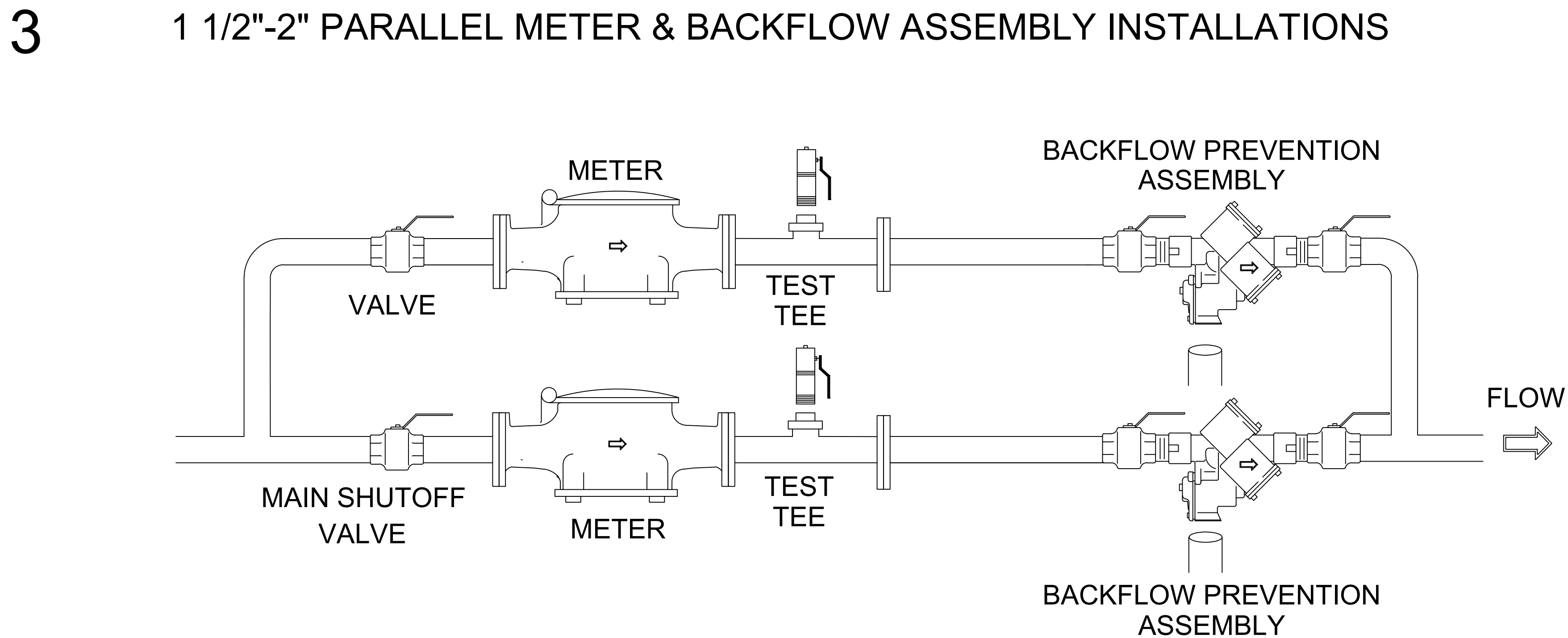
5/8"-1" BACKFLOW ASSEMBLY INSTALLATION



5/8"-1" PARALLEL BACKFLOW ASSEMBLY INSTALLATION



1 1/2"-2" PARALLEL METER & BACKFLOW ASSEMBLY INSTALLATIONS



DO NOT SCALE - USE DIMENSIONS ONLY

CITY OF AKRON  
DEPARTMENT OF PUBLIC SERVICE  
WATER SUPPLY BUREAU

APPROVED INSTALLATIONS OF BACKFLOW  
PREVENTION ASSEMBLIES

REV. DECEMBER 13, 2023

AKRON WATER SUPPLY BUREAU STANDARD DRAWINGS FOUND ONLINE AT  
<http://www.akronohio.gov/water>

*RAJL*  
UTILITIES ENGINEER

STANDARD CONSTRUCTION  
DRAWING NO.

B-1.0